

# Q11

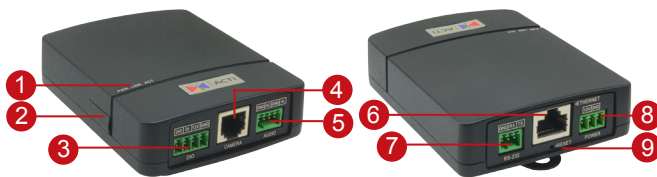
## 2MP Indoor Covert with Basic WDR, SLLS, Fixed Lens



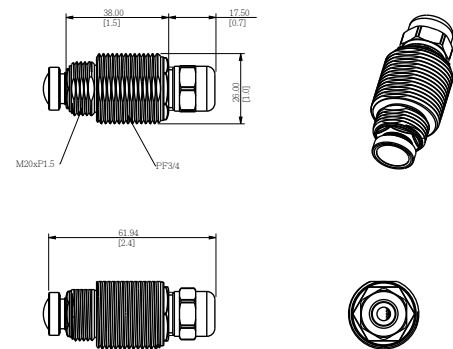
- 2 Megapixel with 1080p
- Superior Low Light Sensitivity
- Fixed Lens with f3.6mm / F1.85
- Basic WDR (75 dB)
- 30 fps at 1920 x 1080
- Wide Angle
- Vibration Proof (EN50155)

### PHOTO INDICATION

### DIMENSION DIAGRAM



- 1 LED Indicators
- 2 Memory Card Slot
- 3 Digital Input / Output
- 4 Camera Input
- 5 Audio-In / Audio-Out
- 6 Ethernet Port
- 7 Serial Port
- 8 DC 12V Power Input
- 9 Reset Button



### ACCESSORY OPTIONS

Unit: mm [inch]

Power Supply		
PPOE-0001		IEEE 802.3af PoE Injector for Class 1, 2 or 3 devices, with universal adapter
PPBX-0002		AC 100-240V to DC 12V power adapter with universal connector

Popular Mounting Solutions			
Mount Type	Surface	Required Accessory	
Flush Mount	Ceiling Wall	Bundled Flush Mount	
Surface Mount	Hard Ceiling Wall	PMAX-1108	
Tilted Mount	Straight Wall	PMAX-1016	
Corner Mount	Corner	PMAX-0403	

\* For more mounting solutions, please refer to Project Planner on [www.acti.com](http://www.acti.com)

## PRODUCT SPECIFICATION

### Q11

#### • Device

Device Type	Indoor Covert Camera
Image Sensor	Progressive Scan CMOS
Sensor Size	1/2.8"
Effective Pixels	1944(H) x 1224(V) (2.38 MP)
Horizontal Resolution	1350 TVL
Day / Night	No
Low Light Sensitivity	Superior
Minimum Illumination	Color: 0.1 lux at F2.8 (30 IRE, 2400°K)
Mechanical IR Cut Filter	No
IR Sensitivity Range	No
Electronic Shutter	1/5 ~ 1/32,000 sec (manual mode); 1/5 ~ 1/32,000 sec (auto mode)
S/N Ratio	52 dB

#### • Lens

Focal Length / Aperture	Fixed focal, f3.6mm / F1.85
Iris	Fixed iris
Focus	Fixed focus
Cable Type	RJ12 connector up to 12m from main unit
Horizontal Viewing Angle	86.6°

#### • Video

Compression	H.264 (Baseline / Main / High profile), MJPEG
Max. Frame Rate vs. Resolution	30 fps at 1920 x 1080; 30 fps at 1280 x 720; 30 fps at 800 x 600; 30 fps at 640 x 480; 15 fps at 320x240
Multi-Streaming	Simultaneous dual streams based on two configurations
Bit Rate	28 Kbps - 6 Mbps (per stream)
Bit Rate Mode	Constant, Variable
Image Enhancement	Basic WDR (75 dB); White balance: automatic, hold, and manual; Brightness; Contrast; Sharpness (auto); Auto gain control; digital noise reduction; Flickerless
Privacy Mask	4 configurable regions
Text Overlay	User defined text on video
Image Orientation	Image flip and mirror

#### • Audio

Compression	8 kHz, Mono, PCM, 16 bit encoding; G.711
Audio-In	Mic-in and line-in, Terminal block
Audio-Out	Line-out, Terminal block

#### • Network

Protocol & Service	TCP, UDP, HTTP, HTTPS, DHCP, PPPoE, RTP, RTSP, IPv4, IPv6, DNS, DDNS, NTP, ICMP, ARP, IGMP, SMTP, FTP, UPnP, SNMP, Bonjour
Ethernet Port	1, Ethernet (10/100 Base-T), RJ-45 connector
Security	IP address filtering; HTTPs encryption; Password protected user levels; Anonymous login; IEEE802.1X network access control

#### • Alarm

Alarm Trigger	Video motion detection (3 regions); External device through digital input; Sound detection
Alarm Response	Notify control center; Change camera settings; Command other devices; E-mail notification with snapshots; Save video or snapshot to local storage; Upload video or snapshot to FTP; Activate external device through digital output

#### • Interface

Digital Input	1, Terminal block
Digital Output	1, Terminal block
Serial Port	1, RS-232
Local Storage	MicroSDHC/MicroSDXC memory card slot (card not included)

#### • General

Power Source / Consumption	PoE Class 2 (IEEE802.3af) / 4.32 W DC 12V (adapter not included) / 3.6 W
Weight	599 g (1.321 lb)
Dimensions (L x W x H)	100.33mm x 75mm x 25.5mm (3.95" x 2.95" x 1")
Environmental Casing	Vibration proof (EN50155)
Mount Type	Flush, Tilttable Flush Mount, Corner
Bundled Accessories	Flush mount
Starting Temperature	-20°C ~ 50°C (-4°F ~ 122°F)
Operating Temperature	-30°C ~ 60°C (-22°F ~ 140°F)
Operating Humidity	10% ~ 85% RH
Approvals	CE (EN 55022 Class B, EN 55024), FCC (Part15 Subpart B Class B), EN50155, UL (for optional PoE injector and power adapter)

#### • Integration

Unified Solution	Fully compatible with ACTi software
ISV Integration	Software Development Kit (SDK) available; ONVIF compliant
Firmware Access Browser	Microsoft Internet Explorer 8.0 or newer (full functionality) Safari with QuickTime installed, and other browsers with VLC installed (partial functionality)
Auto Firmware Upgrade	Yes
GPS Position	Manual Setting

\* All specifications are subject to change without notice.

\* All brand names and registered trademarks are the property of their respective owners.

[www.acti.com](http://www.acti.com)

