

Polycom Terminal

Remote Control Unit

User Manual

KT-410C



© 2008 Sony Visca Protocol

Please read carefully before using

WARNING!

Do not use Gasoline, Thinner, etc. wipe the surface, soft cloth dipped in clean water or alcohol is acceptable

WARNING!

1. Do not touch the water or other liquid, keep the surface clean.
2. This product is for indoor use only, Do not rain or let it be wet
3. When the tem is below -10 centigrade, LCD may can't show properly.
4. Please use our own power adaptor, If you wannar change it, please sure the voltage is 9-15V/1000ma
5. Avoiding collided with hard objects



IMPORTANT

This product is manufactured to comply with requirements of following directives:

89/336/EEC, 92/31/EEC, 93/68/EEC



Function Intro:

Sony VISCA RS-422/RS485 communication, Hi-speed, long distance control.

Two RS422/485 communicate interface, The Max. can reach 2000 meters.

6-16 cameras preset, Like PTZ Control, Lens position, white balance, Mirror, Freeze, ect.

Equipment that can be connected:

- BRC-H700/Z700 3CCD Color Video Camera
- BRC-300/300P 3CCD Color Video Camera
- EVI-D100/D100P/S Color Video Camera
- EVI-D70/D70P/W Color Video Camera
- EVI-D30/D30P Color Video Camera
- SNC-RZ30N/RZ30P Network Camera
- SONY EVI-HD1
- EVI-HD3V
- SONY EVI-HD7V
- BRC-Z330 CMOS
- Sony DXC-390/390P——1/3 DSP 3-CCD camera
- Sony DXC-990/990P——1/2 DSP 3CCD camera
- Polycom series camera

- Joystick:** 6-axis, zoom function, shuttle, jog in the knob, auto returning
- Buttons:** 28, multifunction, silicon + keystone
- Display:** LCD, 2 lines of 20 characters, backlight

Performance Index:




- Dimensions: 355(L) × 150(W) × 155(H)mm
- Weight: 1.47kg (w/o Power supply)
1.89 kg (with Power supply)
2.4kg (prepared for shipping)
- Operating Temperature: -10°C - 70°C
- Humidity: 30% - 90% (w/o condensation)
- Adapter: DC12V / 1000mA

ELECTRICAL SPECIFICATION

- Power source: 12 VDC
- Power consumption: 2.7 W (not loaded line)
- Recommended adapter: AC100-240V-12VDC/1000mA
- Connectors:
 - 1 x RJ-45 (RS-485) (for digital video recorders)
 - RS485(COM1)RS485 transmit Power output 2000M(for camera)
 - RS485(COM2)RS485 two way, standard 485 bus, 1200M(for camera)
 - USB-D:USB2.0(for computer)

- Accessories:**
 1. Power adaptor x 1
 2. RJ45 signal cable x 1
 3. Junction box x1
 4. 120 Ohm 1/4Wresistance x3

SONY VISCA Usage (EVI-D70TECH)

Home	Press Home
Set preset position	Number (1-6)+Set
Delete preset position	Number (1-6)+Del
Call preset position	Number (1-6)+Preset
Backlight compensation	[]
Picture Freeze	[]
Image Mirror	[]
Screen information display	99+ON
Screen information off:	99+OFF

WB Mode

Press [TOUR] to change mode

6 WB Modes

Press TOUR, 6WB Modes as follow

Auto
Indoor
Outdoor
One Push WB
ATW
Manual

Manual WB Mode

There are three parameters adjustable by Press “SEQ”

R Gain、B Gain、RB Stop

(1)Manual WB R Gain

(1)Under Manual WB, Press SEQ, LCD display “R Gain”

(2)Joystick “shuttle” clockwise +, anticlockwise -

(2) Manual WB B Gain

(1) Under Manual WB, Press SEQ, LCD display “B Gain”

(2) Joystick “shuttle” clockwise -, anticlockwise +

(3) Manual WB R/B Gain stop

(1) Under Manual WB, Press SEQ, LCD display “Gain Stop”

ONE PUSH

Under ONE PUSH WB mode, Press “SEQ”

Right&Left exchange

- 1) Right&Left exchange: 200+ON
- 2) Normal: 200+OFF

Attention: This function is not storage,need to be set every time

6 Axis non-contact, High resolution, Long life



Cursor Control (2 Axis)

KX KY Axis

KX、KY Axis:

Mainly for Cursor Control or User defined; 16 Angle each way

Z Axis:

ZOOM control, ± 36

Degree, 64 at Max. different protocols with different parameters

Z Axis: ZOOM control

B Axis: shuttle

B Axis:

shuttle jog: General for frame control of VCR, or User defined

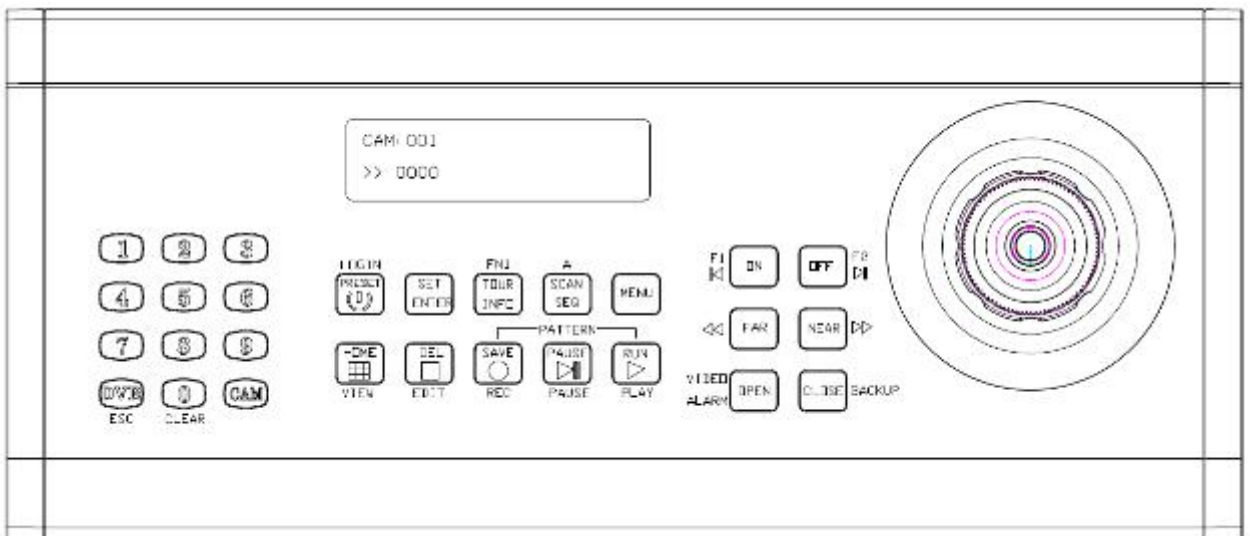
Main Axis X、Y:

PTZ Control, ± 36 degree , 0-100 adjustable, different protocols with different parameters

Main Axis X Y (2)



Front Panel:



Button Backlight

Two lights under each button, Blue, Red; Blue for backlight, Red for function remind. Press it the blue backlight will blink about 1S, Red for 2S

Press DVR and CAM, The blue will blink twice, Red(always), stats indicate

Brief Description


Glossary:







CAM:	CAMERA
DVR:	Digital Video Recorder
PRESET:	Call Preset
SET:	Set Preset
DEL:	Delete Preset
HOME:	home
TOUR:	Cruise switch to WB
SCAN:	Scan
MENU:	menu
SAVE:	Store(video),Backlight Compensation
PAUSE:	Suspend, Frame, Freeze
RUN:	Run, picture mirror
ON:	Auxiliary open, open,99+ON,Screen information display
OFF:	Auxiliary close, close, 99+OFF, Screen information off
FAR:	Focus Far
NEAR:	Focus Near
OPEN:	Aperture on
CLOSE:	Aperture off
PATTERN:	Pattern Learn

Easy Operation

Delete Display:	Press “0” for 2S
Switch to Cam:	No.+CAM
Switch to DVR:	No.+DVR
From DVR to CAM:	CAM or “No.+CAM”
From CAM to DVR:	DVR or “No.+DVR”
Call preset position:	No.+PRESET
Set preset position:	No.+SET
Delete preset position:	No.+DEL
LCD info display:	99+ON
LCD info off:	99+OFF
Backlight Compensation On/Off	Press [●]
Mirror	Press [▶]
Picture Freeze press	[▶]
WB Mode	Press [TOUR],6 Mode

符号解释:

 POWER 、
  Stop 、
  Backlight Compensation/Recording 、
  Freeze/Suspend/Frames

Mirror/Play  ; Multi Picture Switch  ; Former  ; Later  ; Fast Reverse  ; Fast Forward 

LCD Display

Camera Operating Mode

CAM: 001 >> 0000

Camera Operating Mode Function(Call Preset Position)

CAM: 001 >> 0000	[MOVE] PRESET
---------------------	------------------

DVR Operating Mode

CAM: 001 >> 0000	DVR:001
---------------------	---------

DVR Operating Mode

MENU

CAM:001 [MENU→]	DVR:001
--------------------	---------

CAM: 001 Means controlling “Address Number is 001 Camera”

DVR: 001 Means controlling “Address Number is 001DVR”

>> 0000 Number Display Zone, 4 digits at most

[MENU→] Menu operation of DVR

[MOVE] PRESET Function display: show the pressing button’s function, it’ll auto disappear after 3S

Direction Control: SONY VISCA Command

8 above direction control, 24 level speed

ZOOM Control: SONY VISCA Command

ZOOM: 8 level, Multi zoom speed control

Real-time Control:

Joystick can control direction and zoom at the same time

Keyboard Control :

Joystick in Menu:

B Axis-- shuttle: Switch to Menu N01-10

Z Axis -Lens Control: Change parameter

Enter into the submenu: Turn “shuttle” clockwise

Back to the former menu: Turn shuttle anticlockwise

Parameter+ : turn Z axis clockwise

Parameter - : turn Z axis anticlockwise

Keyboard set in OSD Menu

Menu structure

LCD OSD

Main Menu (1-10)

1. Key Backlight =On (On/Off/Active)
2. LCD Backlight =On/Off
3. Camera Protocol
=PelcoP /PelcoD /AD /Samsung /Panasonic/ DaHuaDome/Sony Visca
4. Camera Baud rate =9600 /4800 /2400
5. DVR Protocol =/Dahua/Hikvision/Dali/Hanbang/Appro
6. Alarm In = RS485 /USB
7. Alarm output =All Red /Led Blink
8. Keyboard ID =001
9. Password1 =****
Password2 =****
10. Exit

Enter in Keyboard menu set

- 1) Press CAM, If under CAM status, can be omitted
- 2) Press MUNU
- 3) Input Password: 9999

Enter in menu set, LCD display as following

No1: Backlight

No1: key Backlight	
[on]	off

Back to Keyboard menu set:

- 1) Press MENU
- 2) Under No10: Exit ,Turn Z axis

No1: Key Backlight

No1: key Backlight
[on] off

Enter into the submenu: Turn “shuttle” clockwise
Back to the former menu: Turn shuttle anticlockwise
Change present status: Turn Z Axis, clockwise +, anticlockwise -
With bracket is optional, Like [O N] upper

No2: LCD Backlight

No2: LCD Backlight
[on] off

No3: Camera Protocol

No3: Camea Protocol
[Sony Visca]

Camera protocol as follows:
Pelco-P、Pelco-D、AD、Samsung、Panasonic、DaHuA
DH-PELCO-P、Sony Visca(default)
Turn Z Axis Zoom (clockwise+, anticlockwise-) select camera protocol
Turn shuttle clockwise to the submenu
(back to former menu: Turn shuttle anticlockwise)

No4: Camera Baud rate

No4: Camea Baudrate
[9600]

Camera Baud rate: 2400、4800、9600 (default)
Turn Z Axis Zoom (clockwise+, anticlockwise-) select camera Baud rate
Turn shuttle clockwise to the submenu
(back to former menu: Turn shuttle anticlockwise)

No5: DVR Protocol

No5: DVR Protocol
[Hikvision]

DVR Protocol: Baud rate: 9600
Dahua、Hikvision、Dali、Hanbang、Appro、HighEasy
Turn Z Axis Zoom (clockwise+, anticlockwise-) select DVR protocol
Turn shuttle clockwise to the submenu
(back to former menu: Turn shuttle anticlockwise)

No6: Alarm In

No6: Alarm In
[Usb] RS485

USB: USB Port

RS485: DVR RS485control; Baud rate: 9600

Turn Z Axis Zoom (clockwise+, anticlockwise-) select

Turn shuttle clockwise to the submenu

(back to former menu: Turn shuttle anticlockwise)

No7: Alarm Do: select alarm signal output

No7: Alarm Do
[LED Blink]

Led Blink、RS485 (DVR port RS485signal output)

Turn Z Axis Zoom (clockwise+, anticlockwise-) select

Turn shuttle clockwise to the submenu

(back to former menu: Turn shuttle anticlockwise)

No8: Keyboard ID

No8: Keyboard ID=[01]

Keyboard Address : 00 -99

Turn Z Axis Zoom (clockwise+, anticlockwise-) select

Turn shuttle clockwise to the submenu

(back to former menu: Turn shuttle anticlockwise)

No9: Password 1、2

No9: Password1 [****]
Password2

Turn shuttle clockwise to Password2

No9: Password1
Password2[****]

- 1) Input keyboard password
- 2) Turn Z Axis Zoom (clockwise+, anticlockwise-) confirm

Turn shuttle clockwise to the submenu

(back to former menu: Turn shuttle anticlockwise)

No10: Exit

No10: Exit

Turn Z Axis Zoom (clockwise+, anticlockwise-) quit

Turn shuttle clockwise to the next menu

(back to former menu: Turn shuttle anticlockwise)

Keyboard Controller with EVI-D70/D70P

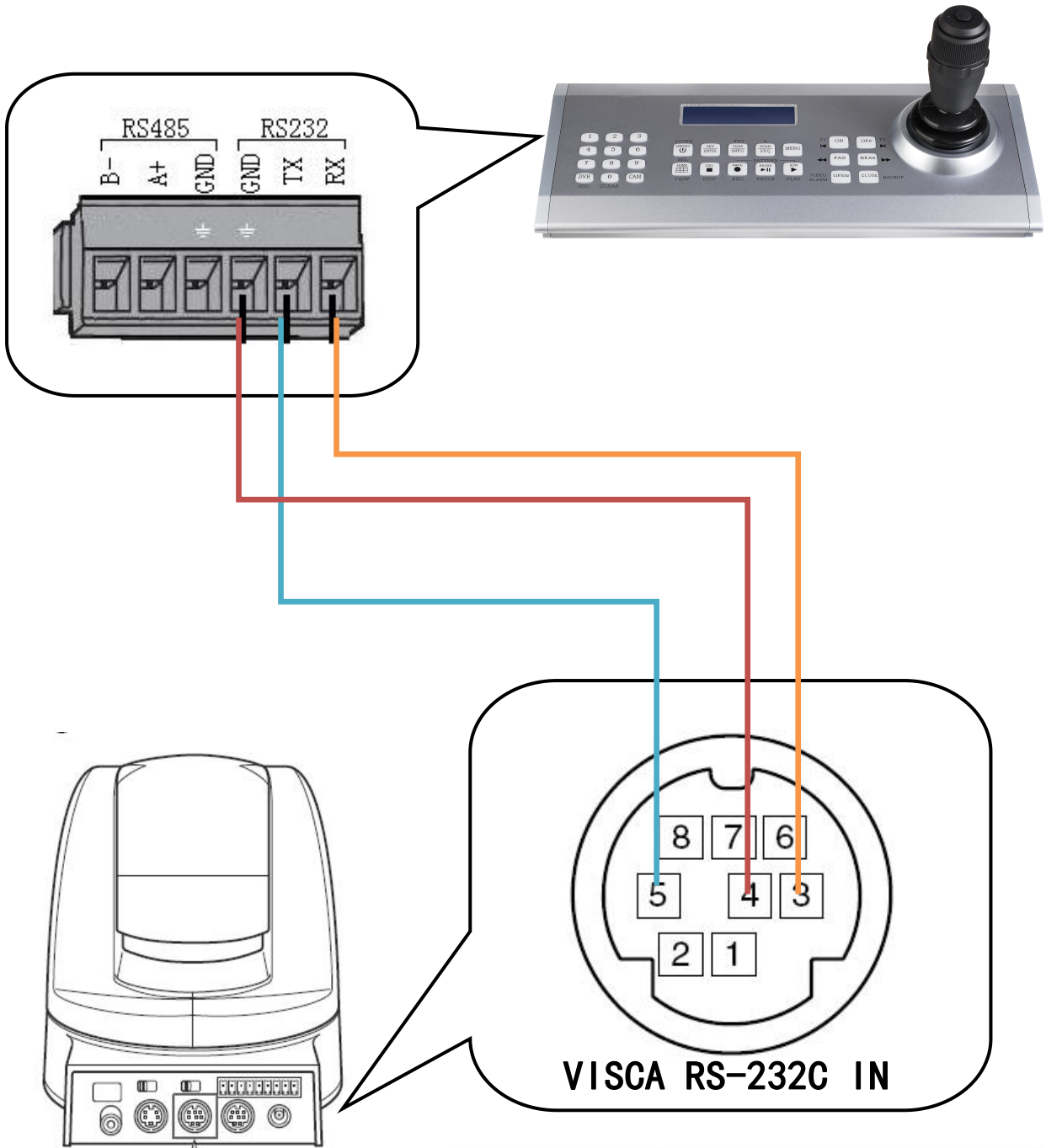


Terminal	Function
1	(Data transmit input+) TXD IN+
2	(Data transmit input -) TXD IN-
3	(Data receive input +) RXD IN+
4	(Data receive input -) RXD IN-
5	(Common terminal) GND
6	(Data transmit output+) TXD OUT+
7	(Data transmit output -) TXD OUT-
8	(Data receive output +) RXD OUT+
9	(Data receive output -) RXD OUT-

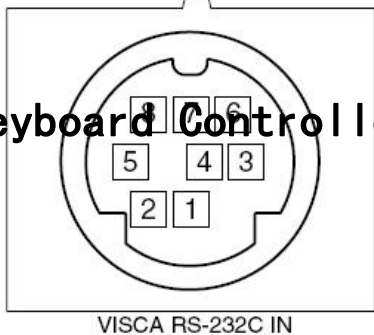


EVI-D70/D70P 后面板图

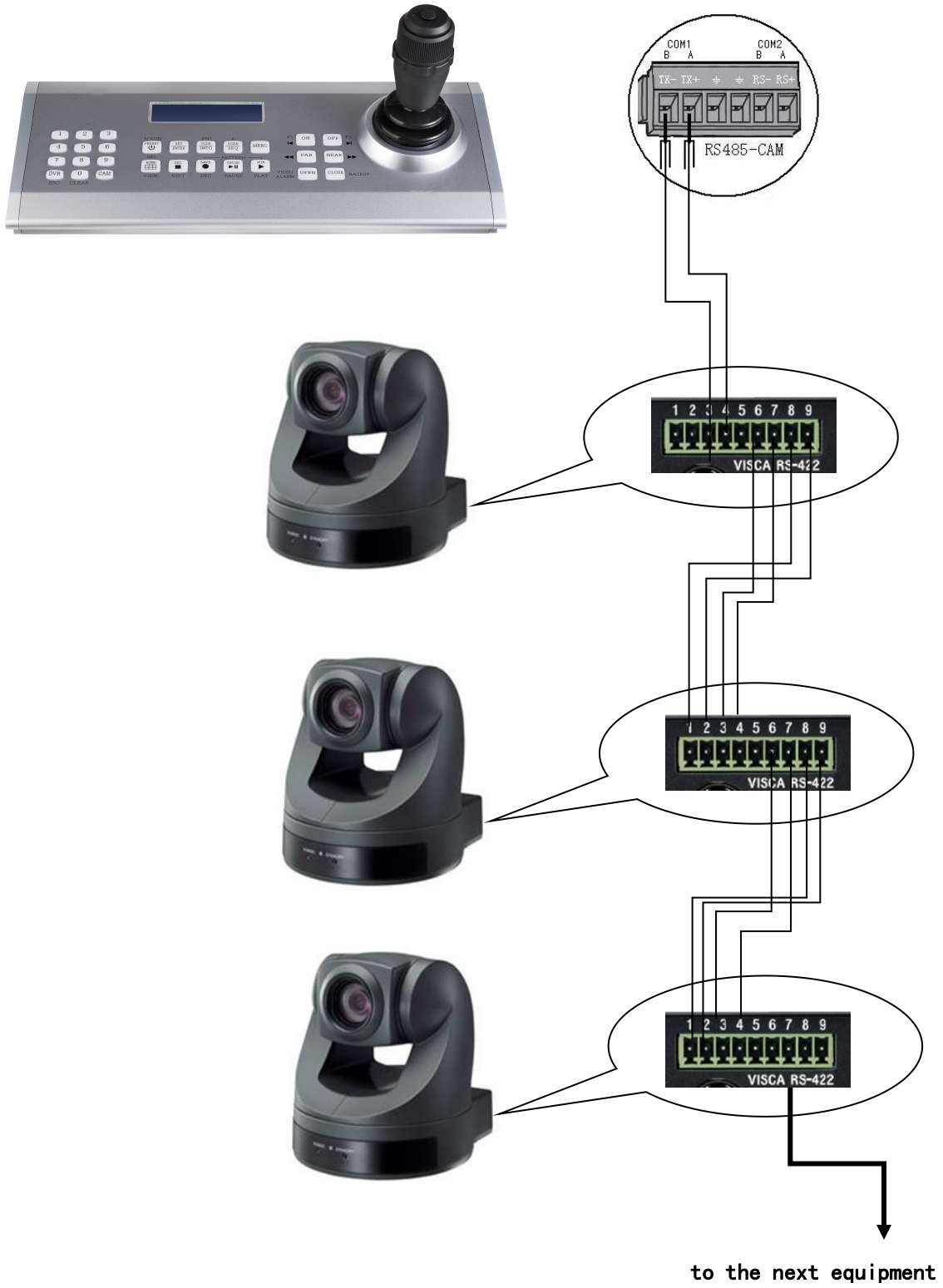
Keyboard Controller with EVI-D70/D70P RS232 connect



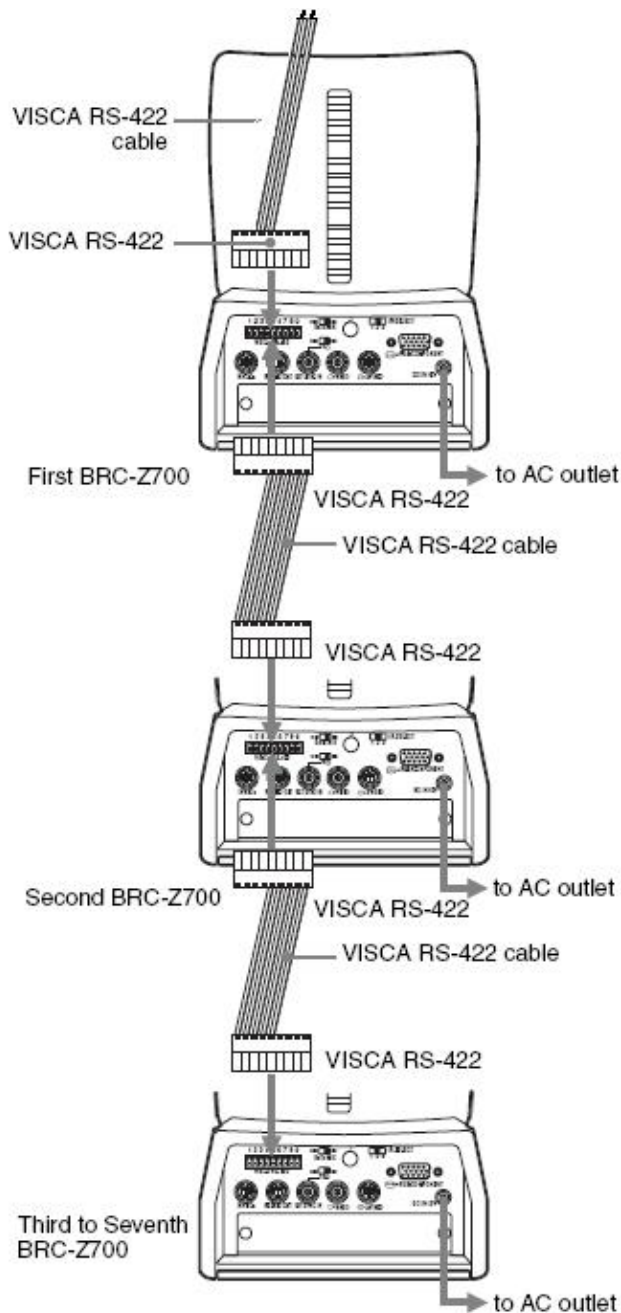
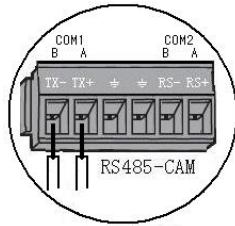
Keyboard Controller with EVI-D70



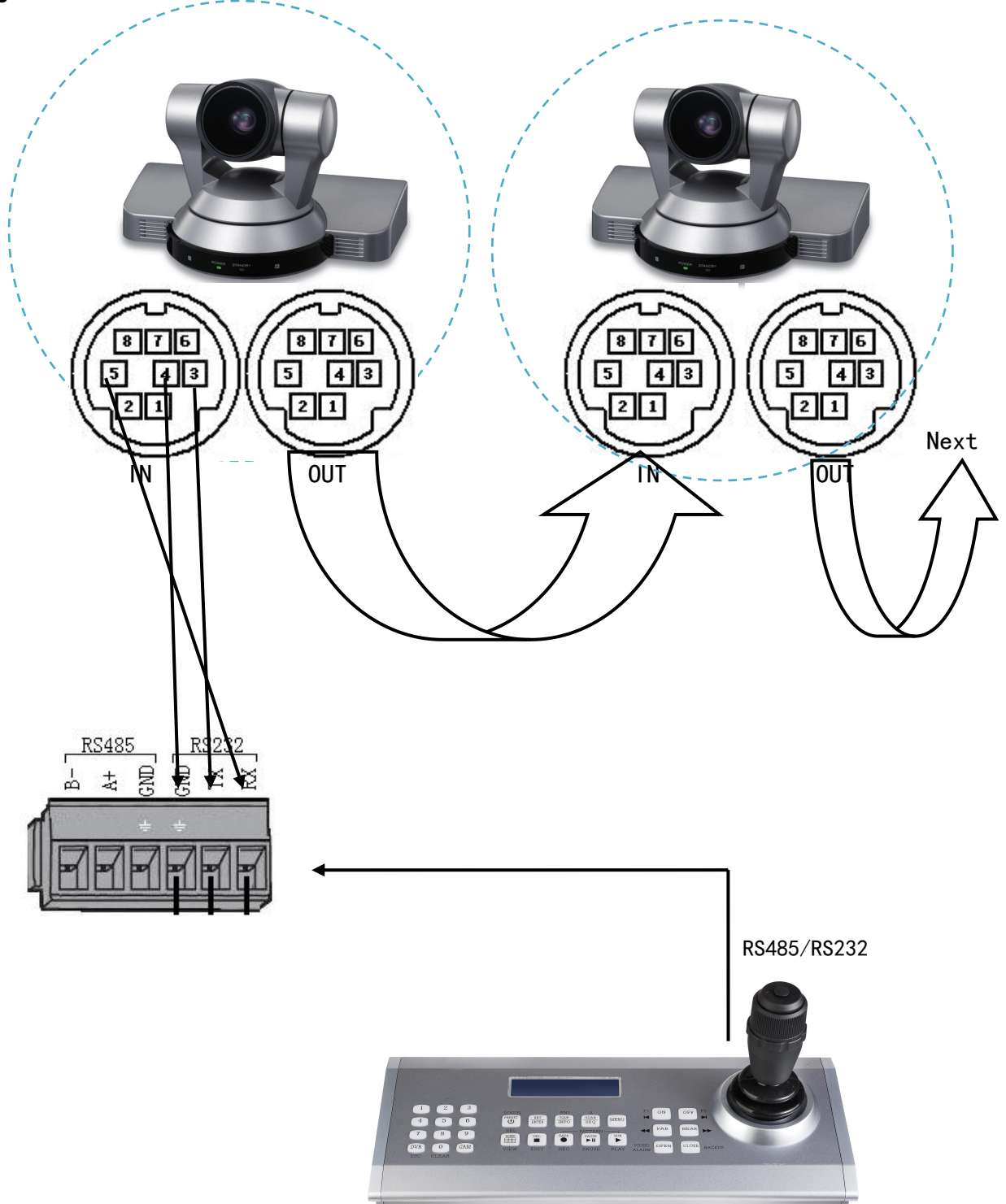
No	Plns	Signals
1	DTR	DataTransmission Ready (OUTPUT)
2	DSR	Data Set Ready (INPUT)
3	TXD	Transmit Data (OUTPUT)
4	GND	Ground
5	RXD	Receive Data (INPUT)
6	GND	Ground
7	IR OUT	IR Commander Signal (OUTPUT)
8	N.C.	No Connection



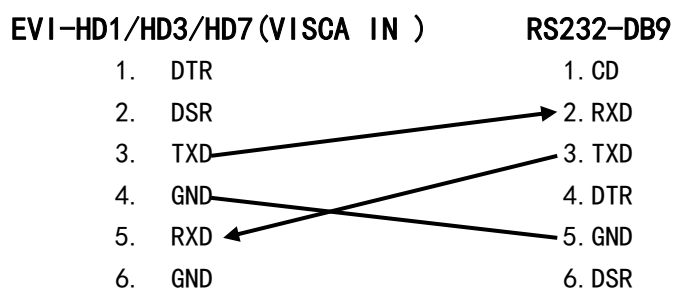
Keyboard Controller with BRC-700



Keyboard Controller with EVI-HD1

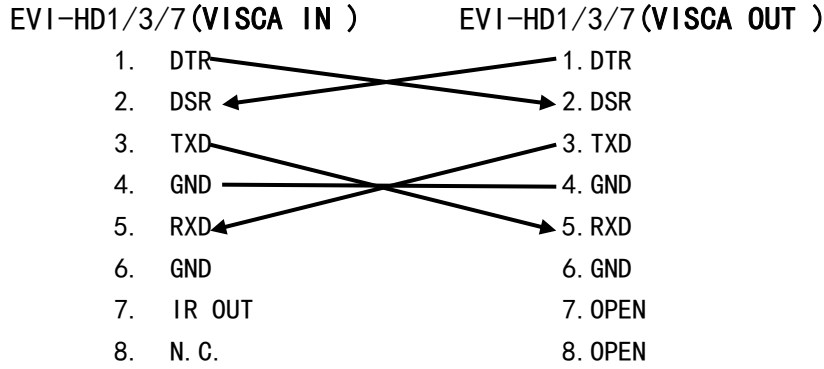


Keyboard via RS232-485 commutator with EVI-HD1/HD3/HD7



- | | |
|-----------|--------|
| 7. IR OUT | 7. CTS |
| 8. N. C. | 8. CTS |
| | 9. RI |

Two EVI-HD1/HD3/HD7 connction



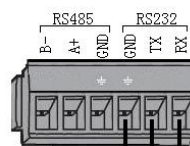
EVI-HD7V/EVI-HD3V

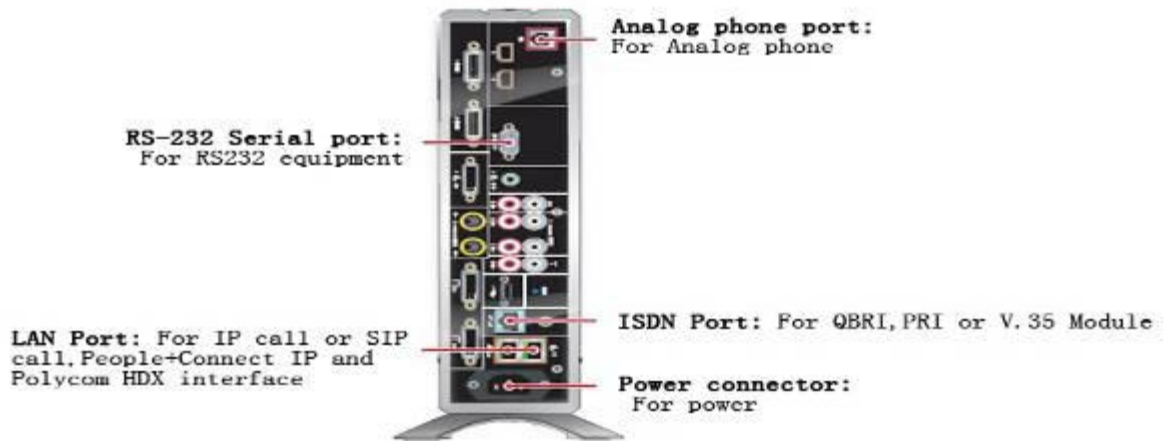


EVI-HD1

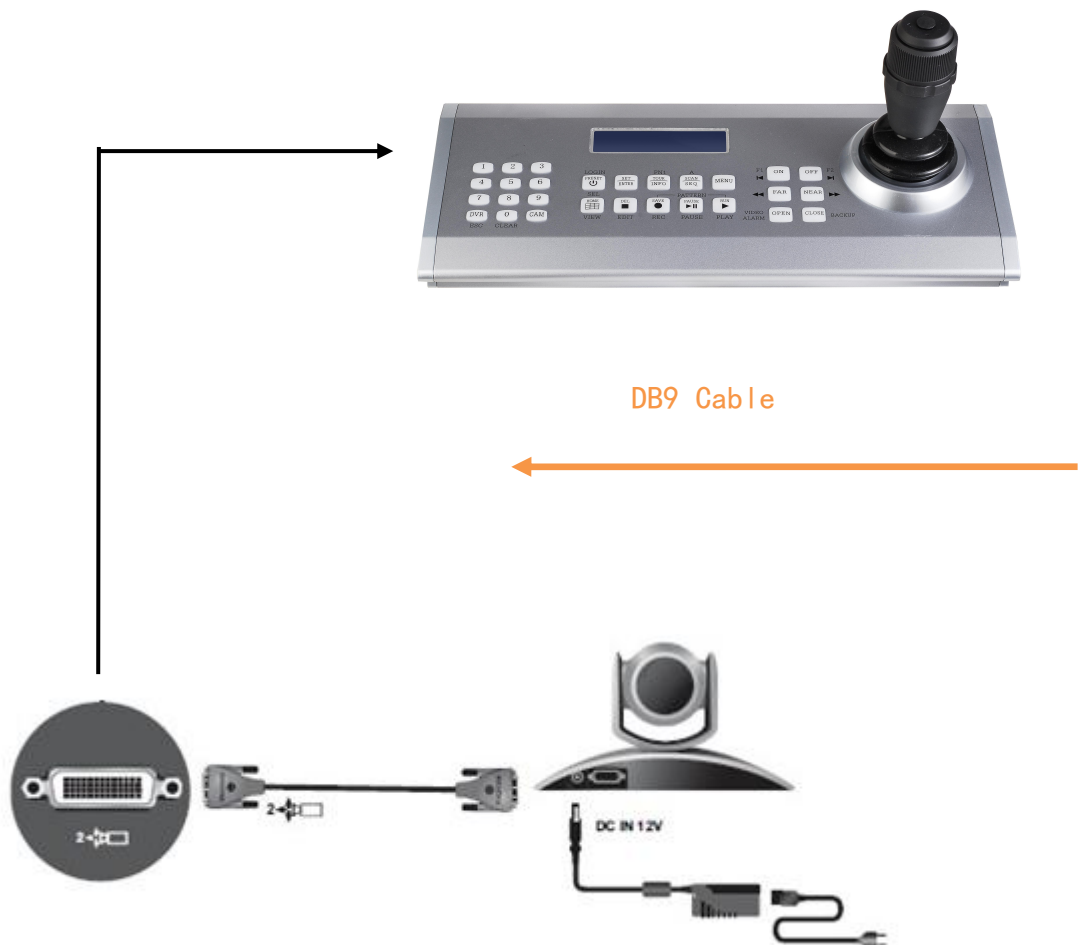


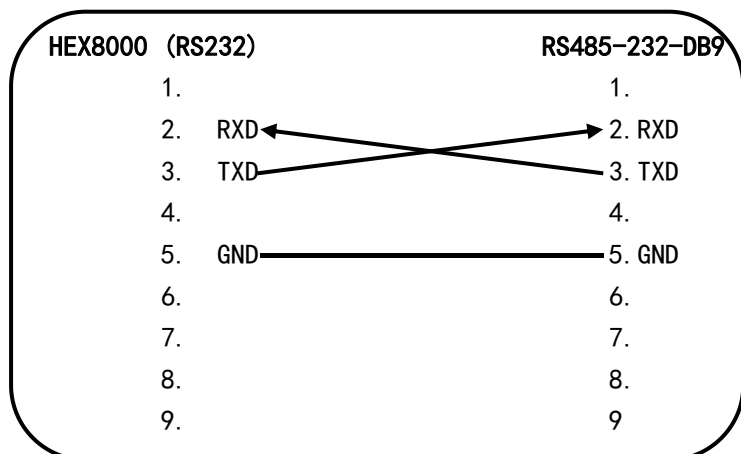
Keyboard Via RS232-485 commutator connect with Polycom Camera





HDX 8000 meeting terminal





Camera operation:

CAM mode: press CAM or “No.” +CAM

PTZ Control:

Control camera direction, up、down、left、right 360degree rotation, speed 0-24 level (SONY VISCA protocol), speed vary with protocols 0-100.

Lens Contro:

ZOOM: near ZOOM IN (TELE)
 Lens ZOOM OUT (WIDE)
 FOCUS: NEAR
 FAR
 Aperture IRIS: OPEN
 CLOSE

Auxiliary equipment control On/Off:

Control on、off、light、wiper、dabble、heater、fan、etc. surveillance equipment

SONY camera on: ON
 SONY camera off: OFF

SONY camera LCD info on: 99+ON
 SONY camera LCD info off: 99+OFF

Auxiliary equipment on: No.+ON
 Auxiliary equipment off: No.+OFF

Call preset position:

- ①input number “1-6” (EVI-D70)
- ②press “PRESET”

Set preset position:

- ①input number “1-6” (EVI-D70)
- ②press “SET”

Delete preset position:

①input number “1-6” (EVI-D70)

②press “DEL”

Backlight Compensation:

press “ ● ”, once on, twice off, by cycle

Picture freeze:

Press “ ▶|| ”, once freeze, twice unbind, by cycle

When freezing, the picture is static

Picture Mirror:

press “ ▶ ”, once on, twice off, by cycle

White Balance:

6 WB:

Press TOUR, 6modes as follows

Auto

Indoor

Outdoor

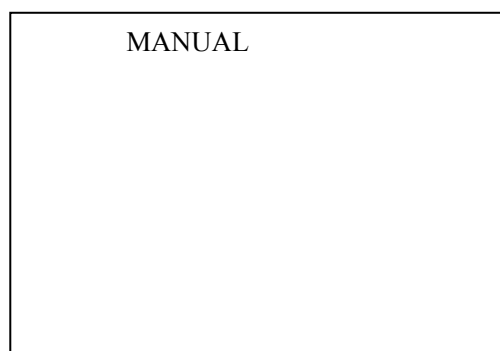
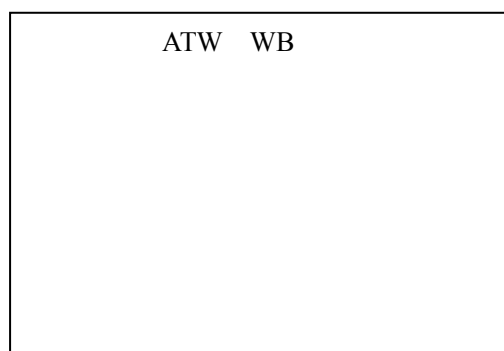
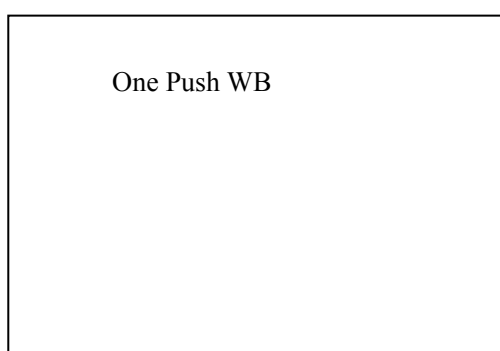
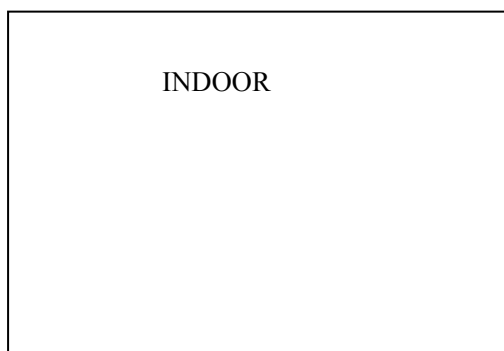
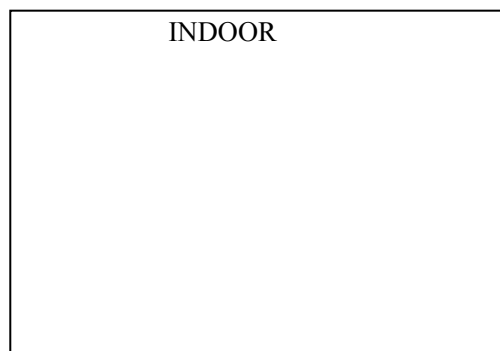
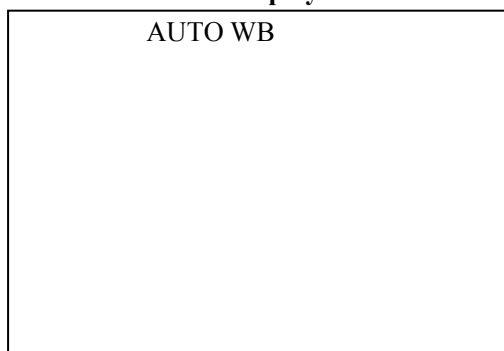
One Push WB

ATW-auto track WB

Manual

WB switch: press [TOUR] , can witch to 6WB by order

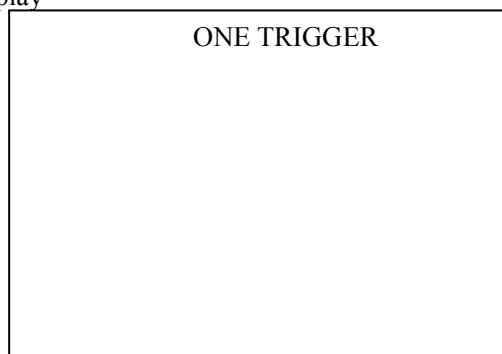
TV screen display as follows



One Push WB

- ①press “TOUR” turn to “One Push WB”
- ②press “SCAN”

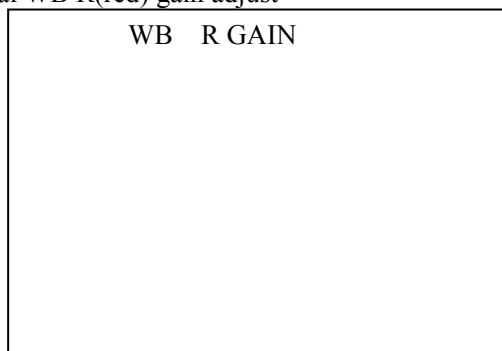
LCD display



Manual WB Mode Set:

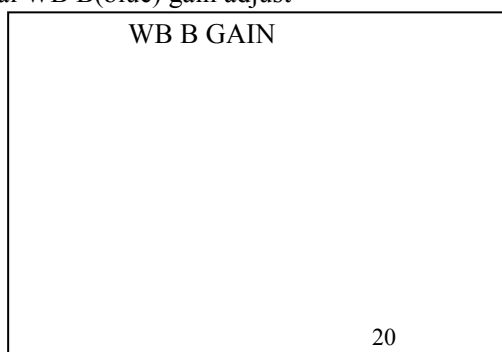
- ①press “TOUR” turn to (Manua)
- ②press SEQ .there're 3mode:
R Gain(Red)、 B Gain (Blue)、 RB Stop (Red&Blue)

- ③Manual WB R(red) gain adjust



Operate method: ”shuttle” on Joystick
clockwise (+), red change to deeper
anticlockwise (-), red shallow

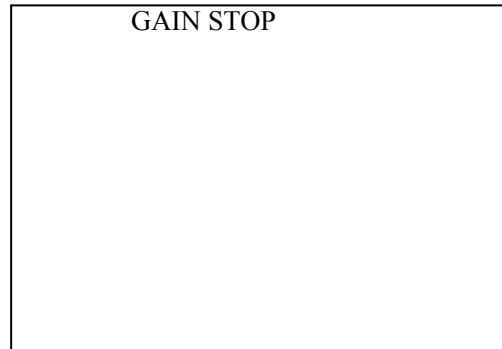
- ③Manual WB B(blue) gain adjust



Operate method: "shuttle" on Joystick
clockwise (+), blue deeper
anticlockwise (-), blue shallow

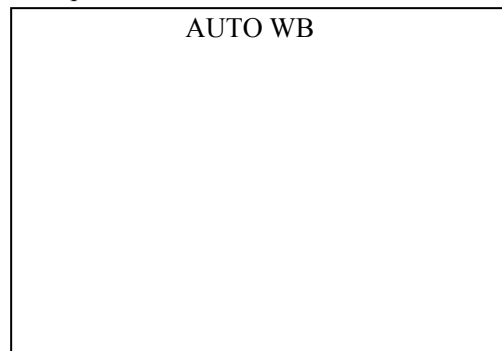
③Manual WB R/B end red blue gain adjust

Press SEQ,LCD display as follows



WB info Display

When set WB parameters, LCD would remind, like AUTO WB



Disappear after 1S

Home:

SONY EVI-D70 front, press (HOME), camera auto turn to this position

Sony BRC-300/300P operate method

Enter in menu: MENU+8888

To the submenu: shuttle clockwise

Back to the former or quit: MENU+8888

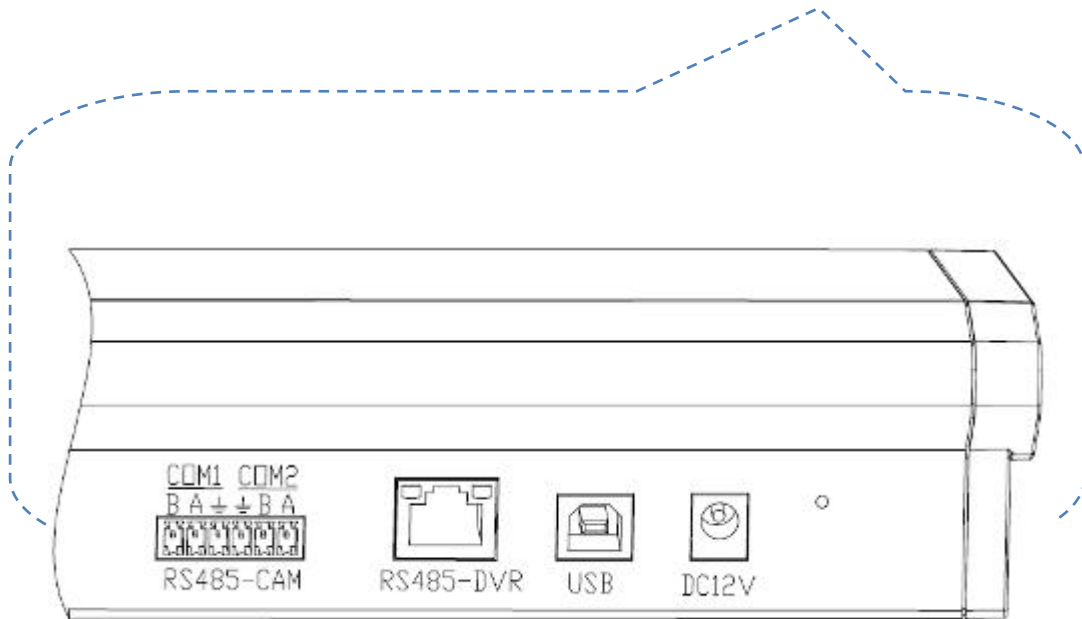
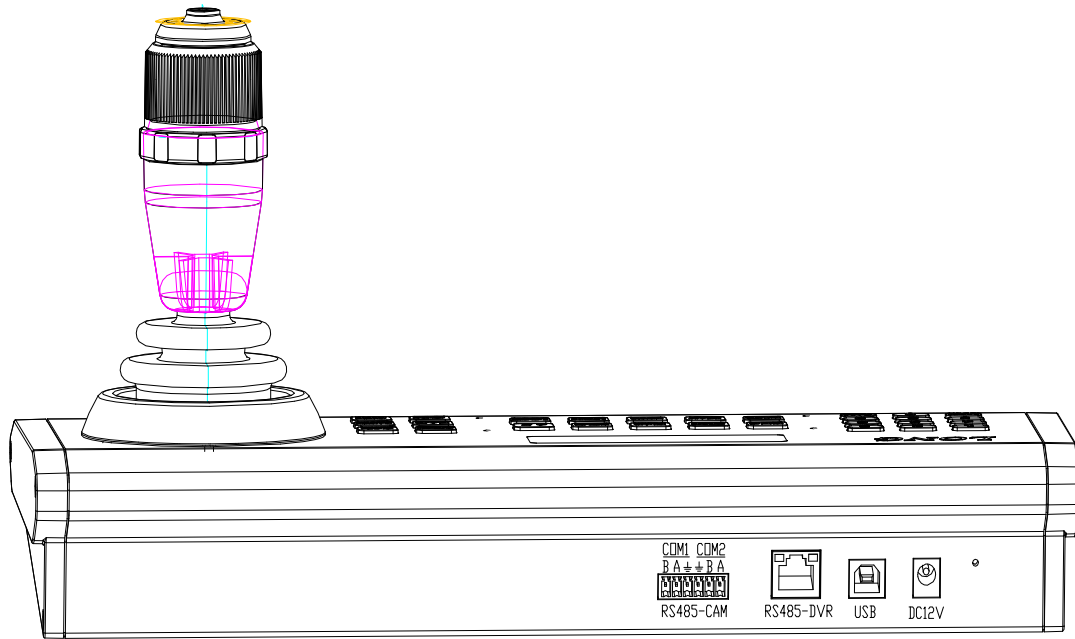
Cursor upside down: Joystick KY up&down;

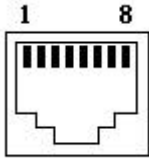
Revise parameter: Joystick KX left&right

Polycom camera

1. Polycom camera, a conferencing system with a keyboard, select Polycom in menu, baud rate 9600
2. Via RS485-232 with HXD8000 meeting endpoint
3. Can control up、down、left、right、zoom、set preset positions、call preset positions

Back port:



Port	Description	atten
DC12V	Power adapter	DC12V /1000 Ma core+
USB	USB interface	To PC
RS485-DVR	Control DVR's RS485 port	 <ul style="list-style-type: none"> 3. RS485+ / A / TX+ 4. RS485- / A / TX- 7. GND 8. DC12V+
RS485-CAM	Control camera two RS485 port	COM1: RS485 undirection port The Max.2000M COM2: RS485 two way port The Max.1200M Can work with other equipment

RJ45 connect box (only DVR)

