

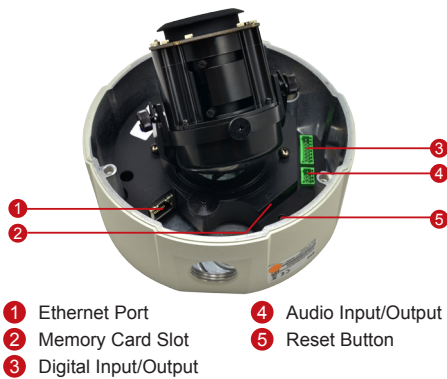
# E89

10MP, Outdoor Dome with D/N, Adaptive IR, Basic WDR, Vari-focal Lens

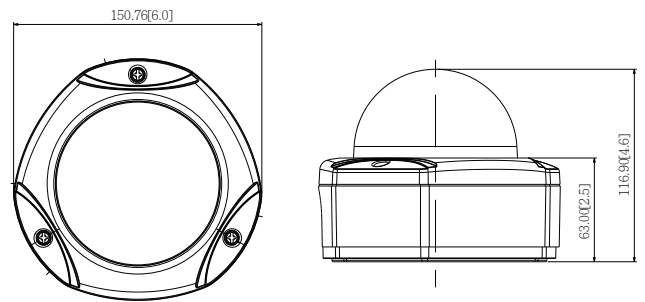


- 10 Megapixel with 4K/1080p
- Day & Night with Adaptive IR LED
- Vari-focal Lens with f3.1-13mm / F1.4
- Basic WDR (70 dB)
- 30 fps at 1920 x 1080
- Wide Angle
- Weatherproof (IP66) and Vandal Proof (IK10)

## PHOTO INDICATION



## DIMENSION DIAGRAM



Unit: mm [inch]

## ACCESSORY OPTIONS

| Dome Cover |  |                              |
|------------|--|------------------------------|
| PDCX-1104  |  | 4-inch, smoked, vandal proof |

| Popular Mounting Solutions |                                     |  |
|----------------------------|-------------------------------------|--|
| Surface                    | Accessories not required            |  |
| Wall                       | PMAX-0101<br>PMAX-0305              |  |
| Pendant                    | PMAX-0101<br>PMAX-0103              |  |
| Corner                     | PMAX-0101<br>PMAX-0305<br>PMAX-0402 |  |
| Pole                       | PMAX-0101<br>PMAX-0305<br>PMAX-0503 |  |
| Flush                      | PMAX-1015                           |  |
| Gang Box                   | PMAX-0804                           |  |

\* For more mounting solutions, please refer to Project Planner on [www.acti.com](http://www.acti.com)

## PRODUCT SPECIFICATION

### E89

#### • Device

|                                |  |
|--------------------------------|--|
| Device Type                    | Outdoor Dome   |
| Image Sensor                   | Progressive Scan CMOS  |
| Sensor Size                    | 1/2.3"   |
| Day / Night                    | Yes  |
| Superior Low Light Sensitivity | No   |
| Minimum Illumination           | Color: 0.1 lux at F1.4 (30 IRE, 2400°K); B/W: 0 lux (IR LED on)    |
| Color to B/W Switch            | ISP based switch, configurable                                     |
| Mechanical IR Cut Filter       | Yes  |
| IR Sensitivity Range           | 700~1100nm   |
| IR LED                         | Adaptive IR LED (Adjustable IR Exposure Compensation) x 10 (850nm) |
| IR Working Distance            | 30 m (0 lux, 30 IRE, Gain 255, Auto shutter mode)                  |
| Electronic Shutter             | 1/5 ~ 1/2,000 sec (manual mode); 1/5 ~ 1/10,000 sec (auto mode)    |

#### • Lens

|                          |  |
|--------------------------|--|
| Focal Length / Aperture  | Vari-focal, f3.1 -13 mm / F1.4               |
| Iris                     | Fixed iris                                   |
| Focus                    | Manual focus                                 |
| Mount Type               | Board mount                                  |
| Horizontal Viewing Angle | 25.8°~100.5°                                 |
| Viewing Angle Adjustment | Pan: 0°~350°; Tilt: 5°~170°; Rotate: 0°~350° |

#### • Video

|                                |   |
|--------------------------------|---|
| Compression                    | H.264 HP, MJPEG   |
| Max. Frame Rate vs. Resolution | 6 fps at 3648 x 2736; 6 fps at 3648 x 2160; 6 fps at 2592 x 1944; 6 fps at 2048 x 1536; 30 fps at 1920 x 1080; 30 fps at 1280 x 720; 30 fps at 640 x 480; 15 fps at 320 x 240 |
| Multi-Streaming                | Simultaneous dual streams based on two configurations   |
| Bit Rate                       | 28 Kbps - 6 Mbps (per stream)   |
| Bit Rate Mode                  | Constant, Variable  |
| Image Enhancement              | Basic WDR (70 dB); White balance: automatic, hold, and manual; Brightness; Contrast; Sharpness (auto); Auto gain control; Digital noise reduction; Flickerless                |
| Privacy Mask                   | 4 configurable regions  |
| Text Overlay                   | User defined text on video  |
| Image Orientation              | Image flip and mirror   |

#### • Audio

|             |   |
|-------------|---|
| Compression | 8kHz, Mono, PCM, 16 bit encoding, G.711 |
| Audio-In    | Terminal block                          |
| Audio-Out   | Terminal block                          |

#### • Network

|                    |   |
|--------------------|---|
| Protocol & Service | TCP, UDP, HTTP, HTTPS, DHCP, PPPoE, RTP, RTSP, IPv6, DNS, DDNS, NTP, ICMP, ARP, IGMP, SMTP, FTP, UPnP, SNMP, Bonjour        |
| Ethernet Port      | 1, Ethernet (10/100 Base-T), RJ-45 connector  |
| Security           | IP address filtering; HTTPS encryption; Password protected user levels; Anonymous login; IEEE 802.1X network access control |

#### • Alarm

|                |   |
|----------------|---|
| Alarm Trigger  | Video motion detection (3 regions); External device through digital input   |
| Alarm Response | Notify control center; Change camera settings; Command other devices; E-mail notification with snapshots; Save video or snapshot to local storage; Upload video, snapshot to FTP; Active external device through digital output |

#### • Interface

|                |   |
|----------------|---|
| Digital Input  | 2, Terminal block   |
| Digital Output | 2, Terminal block   |
| Local Storage  | MicroSDHC/MicroSDXC memory card slot ( card not included) |

#### • General

|                            |  |
|----------------------------|--|
| Power Source / Consumption | PoE Class 2 (IEEE802.3af) / 5.28 W (IR on)   |
| Weight                     | 1.785 kg (3.935 lb)  |
| Dimensions (Ø x H)         | 152.8 mm x 128.5 mm (6.0" x 5.1")  |
| Environmental Casing       | Weatherproof (IP66 rated); Vandal proof (IK10); Transparent dome cover               |
| Mount Type                 | Surface, Pendant, Wall, Corner, Pole, Gang box                                       |
| Starting Temperature       | -20°C ~ 50°C (-4°F ~ 122°F)  |
| Operating Temperature      | -40°C ~ 50°C (-40°F ~ 122°F)   |
| Operating Humidity         | 10% ~ 85% RH   |
| Approvals                  | CE (EN 55022 Class B, EN 55024), FCC (Part15 Subpart B Class B), IP66, IK10, NEMA 4X |

#### • Integration

|                         |   |
|-------------------------|---|
| Unified Solution        | Fully compatible with ACTi software   |
| ISV Integration         | Software Development Kit (SDK) available; ONVIF compliant   |
| Firmware Access Browser | Microsoft Internet Explorer 8.0 or newer (full functionality)<br>Safari with QuickTime installed, and other browsers with VLC installed (partial functionality) |

\* All specifications are subject to change without notice.

\* All brand names and registered trademarks are the property of their respective owners.

[www.acti.com](http://www.acti.com)

