

ALPR Server 1



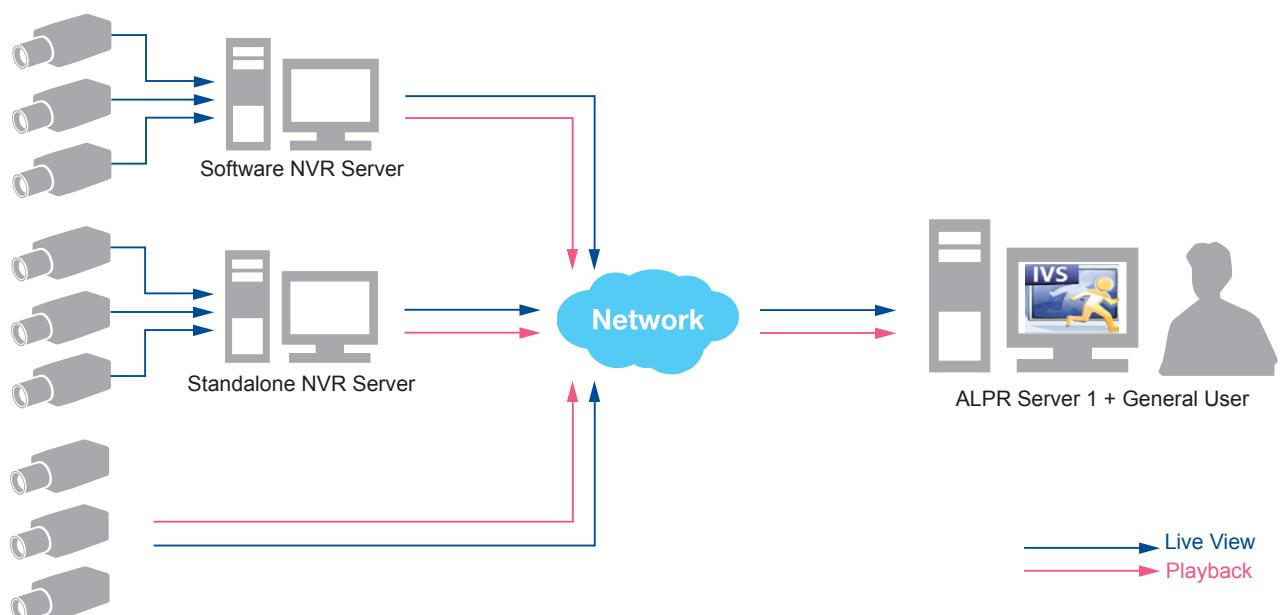
- Concurrent analysis of up to 4 channels
- One region of interest per channel
- Searching and filtering based on time and vehicle color
- Convenient plate numbering searching
- Analysis for live and pre-recorded videos

INTRODUCTION

Applying Automatic License Plate Recognition (ALPR) technology, ACTi now helps you build a smarter surveillance system. ACTi ALPR Server 1 is a video analytics software designed to detect and recognize vehicle license plates. This software is able to automatically locate and read license plates appearing in a certain area, and match this data against the database. It provides efficiency in parking and traffic control, as well as law enforcement. With ACTi ALPR Server 1, you can easily cross-check if a vehicle that is passing through the parking gate or parked in the designated space matches its parking permit. Moreover, law enforcement officers can effortlessly identify suspicious vehicles by matching the license plate with its database.

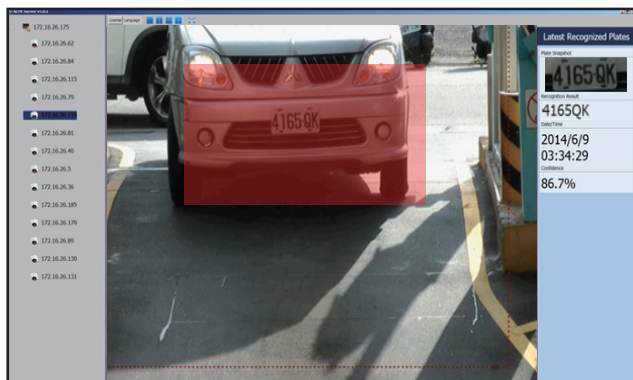
SOLUTION ARCHITECTURE

ALPR Server 1

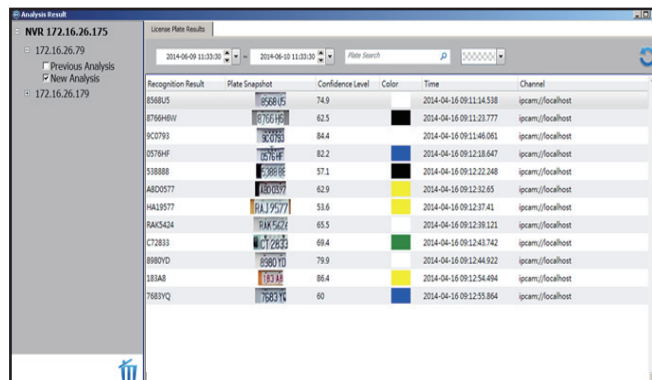


ALPR Server 1

KEY FUNCTIONS



Automatically read license plates appearing in a preset area.



Convenient search for analysis result by time and vehicle color.

PRODUCT SPECIFICATION

ALPR Server 1

• General	
Max. Number of Analytical Channels	4
Video Compression	H.264, MPEG-4, MJPEG
Camera Resolution	Up to 10 Megapixels
Analyzed Stream	Live view and pre-recorded video from ACTi cameras, NVR 3 and standalone NVRs
• Video Analytic Algorithms	
Algorithm	License plate recognition
Maximum number of algorithms	1 algorithm per channel
• Recording	
Event Recording	Record video with user defined rule from live view or recordings from NVR server
Pre-Event Recording	1-300 seconds
Post-Event Recording	1-300 seconds
• Search & Playback	
Recording Search	Search video recordings by time, analytic rule, channel, and display the result with click-to-play snapshots
Playback Control	Pause; stop
Object Color filter	Yes
Time filter	Yes
Wildcard Plate Numbering Searching	Yes
Video Export	Export video clips in RAW format
• System	
Language	Multi-language (English, Traditional Chinese)
Display Resolution	Minimum 1024 X 768
• System Requirements	
CPU	Minimum: Intel Core 2 Quad 2.4 GHz, 4GB RAM Recommended: Intel Core i7-920 2.67 GHz, 4GB RAM
Operating System	32/64 bit : Windows 7, Windows 8 Microsoft .NET Framework 4.5 or above
Network	Ethernet 1000 Base-T recommended

* All specifications are subject to change without notice.
* All brand names and registered trademarks are the property of their respective owners.