

V11

1-Channel 960H/D1 H.264 Mini Video Encoder



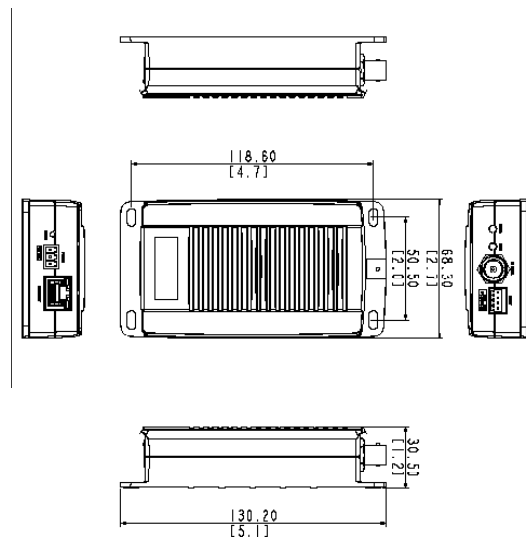
- 25/30 fps at full D1 resolution
- Selectable H.264 HP, MJPEG compressions
- Two-way audio
- Video motion detection

PHOTO INDICATION



- | | |
|-------------------------|----------------------|
| 1 Audio Input / Output | 5 Reset Button |
| 2 Analog Video Input | 6 DC 12V Power Input |
| 3 Power LED | 7 Ethernet Port |
| 4 Video In Activity LED | |

DIMENSION DIAGRAM



[inch]

ACCESSORY OPTIONS

Power Supply

PPOE-0001		IEEE 802.3af PoE Injector for Class 1, 2 or 3 devices, with universal adapter
PPBX-0002		Universal Power Adapter, 100~240V, 4 different connectors included

PRODUCT SPECIFICATION

V11

• Device

Device Type	Mini Video Encoder
Number of Channels	1

• Video

Compression	H.264 HP, MJPEG
Max. Frame Rate vs. Resolution	30 fps at 960 x 480 (960H, NTSC); 25 fps at 960 x 576 (960H, PAL); 30 fps at 720 x 480 (Full D1, NTSC); 25 fps at 720 x 576 (Full D1, PAL)
Multi-Streaming	Simultaneous dual streams based on two configurations
Bit Rate	28 Kbps - 6 Mbps (per stream)
Bit Rate Mode	Constant, Variable
Image Enhancement	Brightness; Saturation; Contrast; Sharpness
Privacy Mask	4 regions
Text Overlay	User defined text on video
Image Orientation	Image flip; image mirror

• Audio

Compression	8 kHz, Mono, PCM, 16 bit encoding, G.711
Audio-In	1, terminal block
Audio-Out	1, terminal block

• Network

Protocol & Service	TCP, UDP, HTTP, HTTPS, DHCP, PPPoE, RTP, RTSP, IPv4, IPv6, DNS, DDNS, NTP, ICMP, ARP, IGMP, SMTP, FTP, UPnP, SNMP, Bonjour
Ethernet Port	1, Ethernet (10/100 Base-T), RJ-45 connector
Security	IP address filtering; HTTPS encryption; Password protected user levels; IEEE 802.1x network access control; Anonymous login

• Alarm

Alarm Trigger	Video motion detection (3 regions); Video loss; Video recovery; Scheduler; System is going to reboot; System booted successfully
Alarm Response	Notify control center; Change image settings; Command other devices; E-mail notification with snapshots; Upload video or snapshot to FTP server; Change motion detection profile

• Interface

Analog Video Input	1, CVBS, 1.0Vp-p with 75Ω BNC connector
--------------------	---

• General

Power Source / Consumption	PoE Class 3 (IEEE802.3af) / 3.36 W DC 12V (DC 7V~20V) / 2.64 W
Weight	0.237 kg (0.52 lb)
Dimensions (W x H x D)	136 mm x 30 mm x 67.5 mm (5.35" x 1.18" x 2.65")
Operating Temperature	-10 °C ~ 50 °C (14 °F ~ 122 °F)
Operating Humidity	10% ~ 85% RH (non-condensing)
Approvals	CE, FCC, UL (for optional PoE injector and power adapter)

• Integration

Unified Solution	Fully compatible with ACTi software
ISV Integration	Software Development Kit (SDK) available; ONVIF Compliant
Firmware Access Browser	Microsoft Internet Explorer 8.0 or newer (full functionality) Safari with QuickTime installed, and other browsers with VLC installed (partial functionality)

• Remote Access

PC Web Browser	Microsoft Internet Explorer with live view and setup
Mobile Client Program	Mobile device application (Active Mobile Client) supports live view Supported devices: iPhone, iPad, iPod Touch and Android device