

Q92

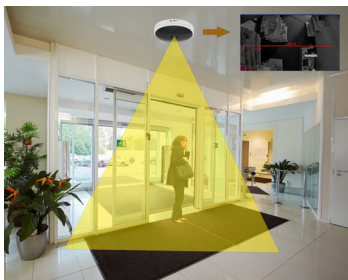
2MP People Counting Indoor Mini Dome with Extreme WDR, SLLS, Fixed Lens



- People Counting
- 2 Megapixel with 1080p
- Day & Night with Superior Low Light Sensitivity and Adaptive IR LED
- Fixed Lens with f2.55 mm / F2.2
- Extreme WDR (145 dB)
- 60 fps at 1920x1080
- Super Wide Angle

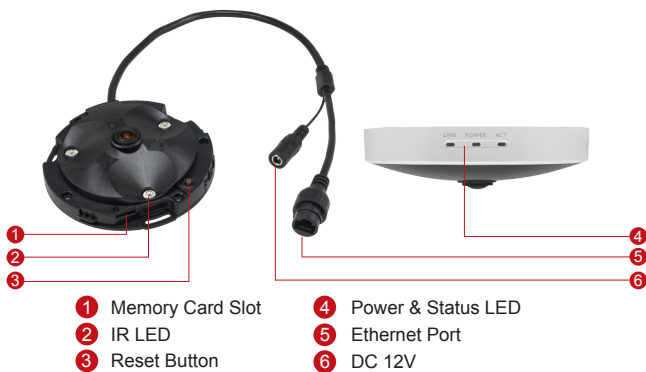
FEATURE INTRODUCTION

People Counting

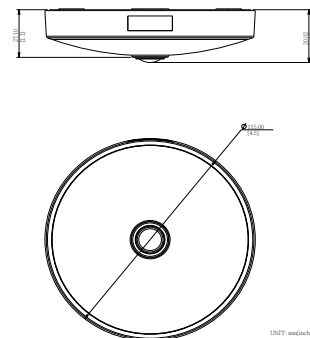


People Counting video analytics camera is specifically designed to process people counting analytics to generate analysis meta-data. The meta-data analyzed could be collected by the ACTi reporting server for basic statistical report generation or the ACTi market application suite for business intelligence to provides advanced and customizable reports. If any message notification is needed, such as too many people entering a building, the ACTi notification service can send the message to store managers immediately.

PHOTO INDICATION



DIMENSION DIAGRAM



ACCESSORY OPTIONS

Power Supply		
PPOE-0001		IEEE 802.3af PoE Injector for Class 1, 2 or 3 devices, with universal adapter

Popular Mounting Solutions		
Surface	Accessories not required	
Pendant	PMAX-0111 PMAX-1400	
NPT Standard Mounts	PMAX-0809 PMAX-1400	

PRODUCT SPECIFICATION

Q92

• Device

Device Type	Indoor Mini Dome
Image Sensor	Progressive Scan CMOS
Sensor Size	1/2.8"
Effective Pixels	1944(H) X 1224(V) (2.38 MP)
Horizontal Resolution	1100 TVL
Day / Night	Yes
Low Light Sensitivity	Superior
Minimum Illumination	Color: 0.1 lux at F2.2 (30 IRE, 2400°K); B/W: 0 lux at F2.2 (IR LED on)
Mechanical IR Cut Filter	Yes
IR Sensitivity Range	700 - 1100nm
IR LED	Adaptive IR LED x 3 (855nm)
IR Working Distance	15 m (0 lux, 30 IRE, Gain 255, Auto shutter mode)
Electronic Shutter	1/5 - 1/32,000 sec (manual mode); 1/5 - 1/32,000 sec (auto mode)
S/N Ratio	56 dB

• Lens

Focal Length / Aperture	Fixed focal, f2.55 mm / F2.2
Iris	Fixed iris
Focus	Fixed focus
Lens Mount	Board mount
Horizontal Viewing Angle	110.3°

• Video

Compression	H.264 (Baseline/ Main/ High profile), MJPEG
Max. Resolution vs. Frame Rate	60 fps at 1920 x 1080; 60 fps 1280 x 720; 30 fps at 640 x 480; 30 fps at 320 x 240
Multi-Streaming	Simultaneous triple streams based on video configurations
Bit Rate	128 Kbps - 12 Mbps (per stream)
Bit Rate Mode	Constant, Variable
Image Enhancement	Extreme WDR (145 dB); White balance: automatic, hold and manual; Brightness; Contrast; Sharpness; Automatic gain control; 2D+3D digital noise reduction; Flickerless; Digital Image Stabilizer; Defogging
Privacy Mask	4 configurable regions
Text Overlay	User defined text on video
Image Orientation	Image flip, mirror and rotation (90° and 270°)
Built-in Analytics	People Counting, Object Counting, Object Based Motion Detection, Tamper

• Network

Protocol & Service	TCP, UDP, HTTP, HTTPS, DHCP, PPPoE, RTP, RTSP, IPv6, DNS, DDNS, NTP, ICMP, ARP, IGMP, SMTP, FTP, UPnP, SNMP, Bonjour
Ethernet Port	1, Ethernet (10/100 Base-T), RJ-45 connector
Security	IP address filtering; HTTPS encryption; Password protected user levels; Anonymous login; IEEE 802.1X network access control

• Alarm

Alarm Trigger	Video motion detection (10 regions)
Alarm Response	Notify control Center; Change camera settings; Command other devices; E-mail notification with snapshots; Save video or snapshot to local storage; Upload video or snapshot to FTP server; Activate external device through digital output

• Interface

Local Storage	MicroSDHC/SDxC memory card slot (card not included)
---------------	---

• General

Power Source / Consumption	PoE Class 2 (IEEE802.3af) / 5.6W; DC 12V / 4.2W
Weight	232g (0.51lb)
Dimensions (Ø x H)	115 mm x 30 mm (4.5" x 1.2")
Mount Type	Surface, Pendant
Starting Temperature	-10°C ~ 50°C (14°F ~ 122°F)
Operating Temperature	-20°C ~ 50°C (-4°F ~ 122°F)
Operating Humidity	10% ~ 85% RH
Approvals	CE (EN 55022 Class B, EN 55024), FCC (Part15 Subpart B Class B), UL (for optional PoE injector)

• Integration

Unified Solution	Fully compatible with ACTi software
ISV Integration	Software Development Kit (SDK) available; ONVIF Compliant
GPS Position	Manual setting
Firmware Access Browser	Microsoft Internet Explorer 8.0 or newer (full functionality) Safari with QuickTime installed, and other browsers with VLC installed (partial functionality)