

# B943

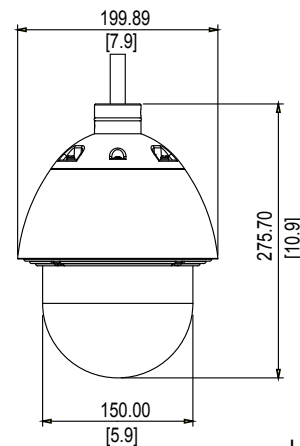
## 3MP Video Analytics Outdoor Speed Dome with D/N, Extreme WDR, SLLS, 36x Zoom Lens



- 3 Megapixel
- Day & Night with Extreme Low Light Sensitivity
- 36x Zoom Lens with f4.6 ~ 165.6 mm / F1.55 ~ 5.0, DC Iris, Auto Focus
- Extreme WDR
- 60 fps at 1920 x 1080
- Endless Pan & Tilt
- PTZ Auto Tracking
- Weatherproof (IP67) and Vandal Proof Options (IK10)
- Built-in Analytics


### PHOTO INDICATION

### DIMENSION DIAGRAM







Unit: mm [inch]

### ACCESSORY OPTIONS

Dome Cover		
PDCX-1108		Smoked, Vandal proof (IK10)

High PoE Injector		
PPOE-0102		High PoE Injector with universal connector

Popular Mounting Solutions		
Wall	PMAX-0312 PMAX-0702	
Pendant	PMAX-0102	
Corner	PMAX-0312 PMAX-0702 PMAX-0402	
Pole	PMAX-0312 PMAX-0702 PMAX-0503	
Parapet	PMAX-0808	

\* For more mounting solutions, please refer to Project Planner on [www.acti.com](http://www.acti.com)

**PRODUCT SPECIFICATION****• Device**

Product Type	Outdoor Speed Dome Camera
Image Sensor	Progressive Scan CMOS
Sensor Size	1/2.8"
Effective Pixels	2065 (H) x 1553 (V) (3.21 MP)
Horizontal Resolution	1550 TVL
Day / Night	Yes
Low Light Sensitivity	Superior
Minimum Illumination	Color: 0.1 lux at F1.55 (30 IRE, 2400°K) B/W: 0.01 lux at F1.55 (30 IRE, 2400°K)
Color to B/W Switch	ISP based switch, configurable
Mechanical IR Cut Filter	Yes
IR Sensitivity Range	700 ~ 1100 nm
IR LED	No
Electronic Shutter	1/5 - 1/32,000 sec (manual mode); 1/5 - 1/32,000 sec (auto mode)
S/N Ratio	56 dB

**• Lens**

Focal Length	Zoom, f4.6 ~ 165.6 mm / F1.55 ~ 5.0
Zoom Ratio / Speed	36x Optical
Iris	DC iris
Focus	Auto focus
Horizontal Viewing Angle	57.67° ~ 2.35°
Vertical Viewing Angle	44.9° ~ 1.78°

**• PTZ**

Panning Range	360° Endless
Tilting Range	-20° ~ 200°
Protocol	ACTi URL command, Sony VISCA, Pelco D, Pelco P

**• Video**

Compression	H.265, H.264 (Baseline / Main / High Profile), MJPEG
Max. Frame Rate vs. Resolution	30 fps at 2048 x 1536 60 fps at 1920 x 1080 30 fps at 1280 x 960 60 fps at 1280 x 720 30 fps at 800 x 600 30 fps at 640 x 480 30 fps at 320 x 240
Multi-Streaming	Simultaneous triple streams based on three configurations
Bit Rate	128 Kbps ~ 12 Mbps (per stream)
Bit Rate Mode	Constant, Variable
Image Enhancement	Extreme WDR (145 dB), White Balance, Brightness, Contrast, Saturation, Sharpness, Automatic Gain Control, Flickerless, 2D+3D Digital Noise Reduction, Defogging, Digital Image Stabilizer
Privacy Mask	32 Configurable 3D Privacy Masks (to be available through future firmware upgrade)
Text Overlay	Yes
Image Orientation	Flip, Mirror
Built-in Analytics	Object Based Motion Detection Tampering Detection Shock Detection PTZ Auto Tracking*

**• Audio**

Audio	2-way, Line-in, Line-out
Compression	8 kHz, 16 bit encoding, Mono, PCM, G.711
Audio-In	Cable with 3.5mm phone jack
Audio-Out	Cable with 3.5mm phone jack

**• Network**

Protocol & Service	IPv4/v6, TCP, UDP, DHCP, PPPoE, HTTP, HTTPS, DNS, DDNS, NTP, RTP, RTSP, RTCP, SMTP, FTP, IGMP, ICMP, ARP, Bonjour, UPnP, QoS, SNMP, IEEE 802.1X
Ethernet Port	1, Ethernet (10/100Base-T), RJ-45 connector
Security	IP Address Filtering, HTTPS Encryption, Password Protected User Level, IEEE 802.1X Network Access Control, Anonymous Login

**• Alarm**

Alarm Trigger	Video Motion Detection (10 Regions), External Device through Digital Input, Sound Detection, Tampering Detection
Alarm Response	Notify control center, Go to PTZ preset point or preset tour, Change camera settings, Command other devices, E-mail notification with snapshots, Push notification to mobile device, Save video to local storage, Upload video to NVR server, Upload video or snapshot to FTP server, Activate external device through digital output

**• Interface**

Digital Input	4, Cable with Terminal Block
Digital Output	2, Cable with Terminal Block
Local Storage	MicroSDHC / MicroSDXC memory card slot (card not included)

**• General**

Power Source / Consumption	High PoE (IEEE802.3at) / 29.35 W AC 24V / 68 W
Weight	2737 g (6.03 lb)
Dimensions (Φ x H)	200 x 276 mm (7.87" x 10.87")
Environmental Casing	Weatherproof (IP67), Vandal proof (IK10), Built-in dehumidifier
Mount Type	Pendant, Wall, Corner, Pole, Parapet
Starting Temperature	-40°C ~ 50°C (-40°F ~ 122°F) within 30 minutes
Operating Temperature	-40°C ~ 50°C (-40°F ~ 122°F)
Operating Humidity	10% ~ 85% RH
Bundled Accessories	PoE injector (for USA) or AC 24V Power Adapter (for other countries except USA)
Approvals	CE, FCC, IP67, NEMA 4X, IK10, UL (for bundled power adapter)

**• Integration**

Unified Solution	Fully compatible with ACTi software
ISV Integration	Software Development Kit (SDK) available, ONVIF Compliant, GB28181 Compliant
GPS Position	Manual setting
Auto Firmware Upgrade	Yes
Firmware Access Browser	IE 11