

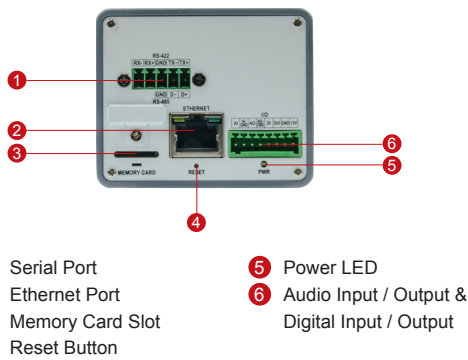
E222

2MP Box with D/N,
Extreme WDR, SLLS, Vari-focal Lens

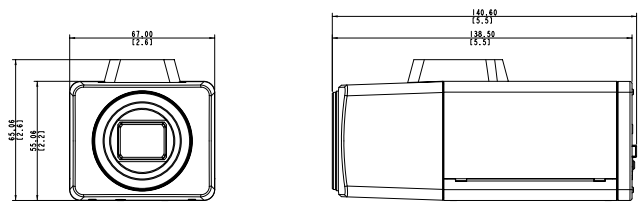


- 2 Megapixel
- Day & Night with Superior Low Light Sensitivity
- Vari-focal Lens with f2.8 - 12mm / F1.4, DC Iris, Manual Focus
- Extreme WDR (145 dB)
- 60 fps at 1920 x 1080

PHOTO INDICATION



DIMENSION DIAGRAM



Unit: mm [inch]

ACCESSORY OPTIONS

Outdoor Housing & Bracket		
PMAX-0200		IP66, with heater and fan powered by 110V AC, -30°C ~ 50°C (-22°F ~ 122°F), requires housing bracket
PMAX-0201		IP66, with heater and fan powered by 220V AC, -30°C ~ 50°C (-22°F ~ 122°F), requires housing bracket
PMAX-0202		IP66, -10°C ~ 50°C (14°F ~ 122°F), requires housing bracket
PMAX-1106		Aluminum, max. load 10 kg (22.05 lb), (For PMAX-0200, PMAX-0201, PMAX-0202)

Power Supply		
PPOE-0001		IEEE 802.3af PoE Injector for Class 1, 2 or 3 devices, with universal adapter

Popular Mounting Solutions		
Corner	PMAX-0202 PMAX-1106 PMAX-0402	
Pole	PMAX-0202 PMAX-1106 PMAX-0503	

* For more mounting solutions, please refer to Project Planner on www.acti.com

Camera Bracket		
PMAX-1104		Ceiling bracket for indoor box or bullet cameras, gray

PRODUCT SPECIFICATION

E222

• Device

Device Type	Vari-focal Box Camera
Image Sensor	Progressive Scan CMOS
Sensor Size	1/2.9"
Effective Pixels	1944 (H) x 1224 (V) (2.38 MP)
Horizontal Resolution	1100 TVL
Day / Night	Yes
Low Light Sensitivity	Superior
Minimum Illumination	Color: 0.1 lux at F1.4 (30 IRE, 2400°K); B/W: 0.05 lux at F1.4 (30 IRE, 2400°K)
Color to B/W Switch	ISP based switch; Configurable
Mechanical IR Cut Filter	Yes
IR Sensitivity Range	700 - 1100 nm
IR LED	No
Electronic Shutter	1/5 ~ 1/2,000 sec (manual mode); 1/5 ~ 1/10,000 sec (auto mode)
S/N Ratio	56 dB

• Lens

Focal Length / Aperture	Vari-focal, f2.8 - 12mm / F1.4
Iris	DC iris
Focus	Manual focus
Lens Mount	CS mount (interchangeable lens)
Horizontal Viewing Angle	92.4° ~ 37.2°

• Video

Compression	H.264 (Baseline / Main / High profile), MJPEG
Max. Frame Rate vs. Resolution	60 fps at 1920 x 1080; 60 fps at 1280 x 720; 30 fps at 640 x 480; 30 fps at 320 x 240
Multi-Streaming	Simultaneous triple streams based on video configurations
Bit Rate	128 Kbps - 12 Mbps (per stream)
Bit Rate Mode	Constant, Variable
Image Enhancement	Extreme WDR (145 dB); White balance: automatic, hold and manual; Brightness; **Defogging; Contrast; Sharpness (auto); Auto gain control; 2D+3D digital noise reduction; Flickerless
Privacy Masks	4 regions
Text Overlay	User defined text on video
Image Orientation	Image flip and mirror

• Audio

Compression	8kHz, Mono, PCM, 16 bit encoding; G. 711
Audio-In	Line-in, Terminal block
Audio-Out	Line-out, Terminal block

• Network

Protocol & Service	TCP, UDP, HTTP, HTTPS, DHCP, PPPoE, RTP, RTSP, IPv4, IPv6, DNS, DDNS, NTP, ICMP, ARP, IGMP, SMTP, FTP, UPnP, SNMP, Bonjour, Sony VISCA, Pelco D, Pelco P
Ethernet Port	1, Ethernet (10/100 Base-T), RJ-45 connector
Security	IP address filtering; HTTPS encryption; Password protected user levels; Anonymous login; IEEE 802.1X network access control

• Alarm

Alarm Trigger	Video motion detection (10 regions); External device through digital input; Sound detection
Alarm Response	Notify control center; Change camera settings; Command other devices; E-mail notification with snapshots; Save video or snapshot to local storage; Save video or snapshot to FTP server; Activate external device through digital output

• Interface

Digital Input	1, Terminal block
Digital Output	1, Terminal block
Serial Port	1, RS-485/RS-422, Terminal block
Local Storage	**MicroSDHC memory card slot (card not included)

• General

Power Source / Consumption	PoE Class 3 (IEEE802.3af) / 7W
Weight	450 g (0.992 lb)
Dimensions (W x H x D)	67 mm x 65 mm x 145 mm (2.6" x 2.5" x 5.6")
Environmental Casing	Optional housing (IP 66 rated)
Mount Type	Wall, Ceiling, Corner, Pole
Starting Temperature	-10°C ~ 50°C (14°F ~ 122°F) within 30 minutes
Operating Temperature	-10°C ~ 50°C (14°F ~ 122°F)
Operating Humidity	10% ~ 85% RH
Approvals	CE (EN 55022 Class B, EN 55024), FCC (Part15 Subpart B Class B), UL (for optional PoE injector)

• Integration

Unified Solution	Fully compatible with ACTi software
ISV Integration	Software Development Kit (SDK) available, **ONVIF compliant
GPS Postion	Manual setting
Firmware Access Browser	Microsoft Internet Explorer 8.0 or newer (full functionality) Safari with QuickTime installed, and other browsers with VLC installed (partial functionality)

** Functionalities will be available in a future firmware update

* All specifications are subject to change without notice.

* All brand names and registered trademarks are the property of their respective owners.

www.acti.com

