

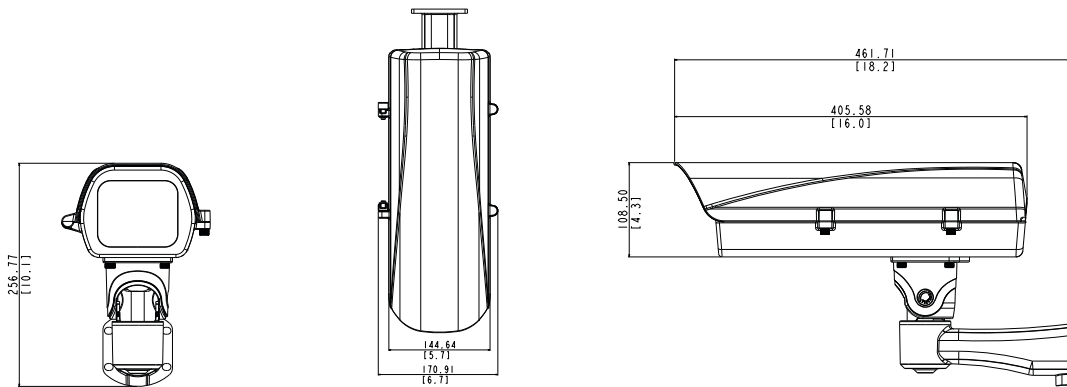
B420

5MP Video Analytics Zoom Bullet with D/N, Adaptive IR, Extreme WDR, SLLS, 36x Zoom Lens



- 5 Megapixel
- Day & Night with Superior Low Light Sensitivity and Adaptive IR LED
- 36x Zoom Lens with f4.6 mm ~ 165.6 mm / F1.55 ~ F5.0 with Auto Focus
- Extreme WDR (116 dB)
- 30 fps at 2592 x 1944
- Weatherproof (IP68) and Vandal Proof (IK10)
- Built-in Analytics

DIMENSION DIAGRAM





Unit: mm [inch]

ACCESSORY OPTIONS

Power Supply	
PPOE-0101	High PoE Injector IEEE 802.3at compliant, AC 100~240V, with universal connectors



Popular Mounting Solutions	
Wall	Accessories not required
Pole	PMAX-0508 
Junction Box	PMAX-0704 

* For more mounting solutions, please refer to Project Planner on www.acti.com

PRODUCT SPECIFICATION**• Device**

Device Type	Zoom Bullet Camera
Image Sensor	Progressive Scan CMOS
Sensor Size	1/2.9"
Effective Pixels	3092 (H) x 2202 (V) (6.82 MP)
Horizontal Resolution	1750 TVL
Day / Night	Yes
Low Light Sensitivity	Superior
Minimum Illumination	Color: 0.1 lux at F1.8 B/W: 0 lux (IR LED on)
Color to B/W Switch	ISP based switch, configurable
Mechanical IR Cut Filter	Yes
IR LED	Adaptive IR LED
IR Working Distance	150 m
S/N Ratio	56 dB

• Lens

Focal Length / Aperture	Zoom, f4.6 ~ 165.6 mm / F1.55 ~ F5.0
Iris	DC Iris
Zoom Ratio	36x
Focus	Auto Focus
Mount Type	Board Mount
Horizontal Viewing Angle	64.3° ~ 2.04°

• Video

Compression	H.265, H.264 (Baseline / Main / High profile), MJPEG
Max. Frame Rate vs. Resolution	30 fps at 2592 x 1944 30 fps at 2048 x 1536 30 fps at 1920 x 1080 30 fps at 1280 x 960 30 fps at 1280 x 720 30 fps at 800 x 600 30 fps at 640 x 480 30 fps at 320 x 240
Multi-Streaming	Simultaneous triple streams based on video configurations
Bit Rate	128 Kbps - 12 Mbps (per stream)
Bit Rate Mode	Constant, Variable
Image Enhancement	Extreme WDR (116 dB), White Balance, Brightness, Saturation, Contrast, Auto Gain Control, 2D+3D Digital Noise Reduction, Flickerless, Defogging, Digital Image Stabilizer
Privacy Mask	32 configurable 3D privacy masks
Text Overlay	User Defined Text on Video
Built-in Analytics	Object Based Motion Detection, Tampering Detection, Sound Detection
Image Orientation	Image Flip, Mirror and Rotation*

• Audio

Audio Type	2-way, Mic-in, Line-in, Line-out
Compression	8kHz, Mono, PCM, 16 bit encoding, G.711

• Network

Protocol & Service	IPv4/v6, TCP, UDP, DHCP, PPPoE, HTTP, HTTPS, DNS, DDNS, NTP, RTP, RTSP, RTCP, SMTP, FTP, IGMP, ICMP, ARP, Bonjour, UPnP, QoS, SNMP, IEEE 802.1X
Ethernet Port	1 RJ-45 connector
Security	IP Address Filtering, HTTPS Encryption, Password Protected User Level, Anonymous Login, IEEE 802.1X Network Access Control

• Alarm

Alarm Trigger	Video Motion Detection (10 regions) External Device through Digital Input Sound Detection
Alarm Response	Notify control center Go to Zoom preset point or preset tour Change camera settings Command other devices E-mail notification with snapshots Push notification to mobile device Save video to local storage Upload video to NVR server Upload video or snapshot to FTP server Activate external device through digital output

• Interface

Digital Input	1, Terminal block
Digital Output	1, Terminal block
Serial Port	1, RS-485 / RS-422
Local Storage	MicroSDHC, MicroSDXC memory card slot (card not included)

• General

Power Source / Consumption	High PoE (IEEE802.3at) / 25.5W, DC 12V (adapter not included)
Environmental Casing	Weatherproof (IP68 rated) Vandal Proof (IK10 rated)
Bundled Accessories	Integrated Bracket
Mount Type	Wall Mount Pole Mount
Fan	Yes
Heater	Yes
Starting Temperature	-40°C ~ 60°C (-40°F ~ 140°F)
Operating Temperature	-40°C ~ 60°C (-40°F ~ 140°F)
Operating Humidity	10% ~ 85% RH
Approvals	CE, FCC, IP68, IK10 (metal casing), NEMA 4X, UL (for optional power adapter and PoE injector)

• Integration

Unified Solution	Fully compatible with ACTi software
ISV Integration	Software Development Kit (SDK) available, ONVIF compliant (Profile S, Profile G), GB28181 compliant
Firmware Access Browser	Microsoft Internet Explorer 11
Auto Firmware Upgrade	Yes
GPS Position	Manual Setting

* All specifications are subject to change without notice.

* All brand names and registered trademarks are the property of their respective owners.