

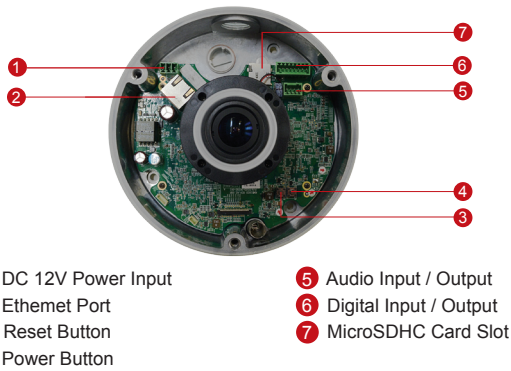
# KCM-7911

4M Outdoor Hemispheric with D/N, Advanced WDR, SLLS, ePTZ, Fisheye Lens

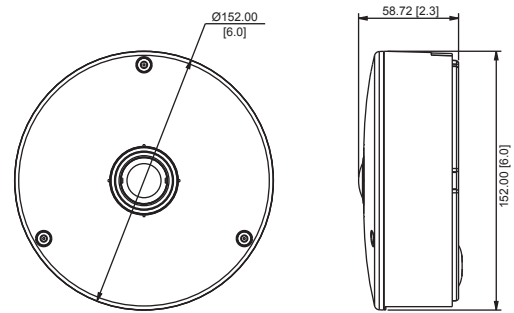


- 4 Megapixel with 1080p
- Day & Night with Superior Low Light Sensitivity
- Fisheye Lens with f1.05mm / F2.8
- Advanced WDR (80 dB)
- 15 fps at 1920 x 1080
- 180/360° Panorama View with Dewarping
- Weatherproof (IP66)

## PHOTO INDICATION



## DIMENSION DIAGRAM



Unit: mm [inch]

## ACCESSORY OPTIONS

### Power Adapter

PPBX-0002



Universal Power Adapter, 100~240V, 4 different connectors included

### Popular Mounting Solutions

Surface	PMAX-0802	
Wall	PMAX-0310	
Pendant	PMAX-0101 PMAX-0103	
Pole	PMAX-0310 PMAX-0503	
Gang box	PAX-0804	

\* For more mounting solutions, please refer to Project Planner on [www.acti.com](http://www.acti.com)

**PRODUCT SPECIFICATION****KCM-7911****• Device**

Device Type	Outdoor Hemispheric Camera
Image Sensor	Progressive Scan CMOS
Sensor Size	1/2.5" (5.7 x 4.28 mm)
Day / Night	Yes
Superior Low Light Sensitivity	Yes
Minimum Illumination	Color: 1.63 lux at F2.8 (30 IRE, 2400°K); B/W: 0.06 lux at F2.8 (30 IRE, 2400°K)
Color to B/W switch	ISP based switch, configurable
Mechanical IR Cut Filter	Yes
IR Sensitivity Range	700 - 1100 nm
IR LED	No
Electronic Shutter	1/5 ~ 1/2,000 sec (manual mode); 1/5 ~ 1/10,000 sec (auto mode)

**• Lens**

Focal Length / Aperture	Fisheye lens, 1.05 mm / F2.8
Iris	Fixed iris
Focus	Fixed focus
Horizontal Viewing Angle	180°

**• Video**

Compression	H.264, MPEG-4 SP, MJPEG
Maximum Frame Rate vs. Resolution	6 fps at 2032 x 1920; 12 fps at 1920 x 1080; 12 fps at 1280 x 720; 12 fps at 640 x 480
Mode	Fisheye View; Dewarped View: 180° / 360° Panorama, ePTZ, 6 VGA, Motion Detection Preset
Multi-Streaming	Simultaneous dual streams based on two configurations in single view mode; Multiple streams based on single configuration in 6 cropped VGA mode
Bit Rate	28 Kbps - 6 Mbps (per stream)
Bit Rate Mode	Constant, Variable
Image Enhancement	Advanced WDR, White balance: automatic, hold and manual; Brightness; Saturation; Contrast; Edge enhancement; Automatic gain control; 2D+3D Digital noise reduction; Flickerless; Defogging
Privacy Mask	4 configurable regions
Text Overlay	User defined text on video

**• Audio**

Compression	8 kHz, Mono, PCM, 16 bit encoding; G.711
Audio-In	Terminal block
Audio-Out	Terminal block

**• Network**

Protocol & Service	TCP, UDP, HTTP, HTTPS, DHCP, PPPoE, RTP, RTSP, IPv6, DNS, DDNS, NTP, ICMP, ARP, IGMP, SMTP, FTP, UPnP, SNMP, Bonjour
Ethernet Port	1, Ethernet (10/100 Base-T), RJ-45 connector
Security	IP address filtering; HTTPS encryption; Password protected user levels; IEEE 802.1X network access control

**• Alarm**

Alarm Trigger	Video motion detection (3-6 regions, depending on video mode); External device through digital input
Alarm Response	Notify control center; Go to ePTZ preset point or preset tour; Change camera settings; Command other devices; E-mail notification with snapshots; Save video or snapshot to local storage; Upload video, Snapshot to FTP server; Activate external device through digital output

**• Interface**

Digital Input	2, terminal block
Digital Output	2, terminal block
Local Storage	MicroSDHC memory card slot (card not included)

**• General**

Power Source / Consumption	PoE Class 3 (IEEE 802.3af) / 9.6W DC 12V / 7.68W (adapter not included)
Weight	800 g (1.76 lb)
Dimensions (Ø x H)	152mm x 58.72mm (6" x 2.3")
Mount Type	Surface, Pendant, Wall, Corner, Pole, Ceiling, Gang box
Starting Temperature	-20°C ~ 50°C (-4°F ~ 122°F) within 30 minutes
Operating Temperature	-40 °C ~ 50°C (-40°F ~ 122°F)
Operating Humidity	10% ~ 85% RH
Approvals	CE (EN 55022 Class B, EN 55024), FCC (Part15 Subpart B Class B), IP66

**• Integration**

Unified Solution	Fully compatible with ACTi software
ISV Integration	Software Development Kit (SDK) available; ONVIF compliant
Firmware Access Browser	Microsoft Internet Explorer 8.0 or newer