

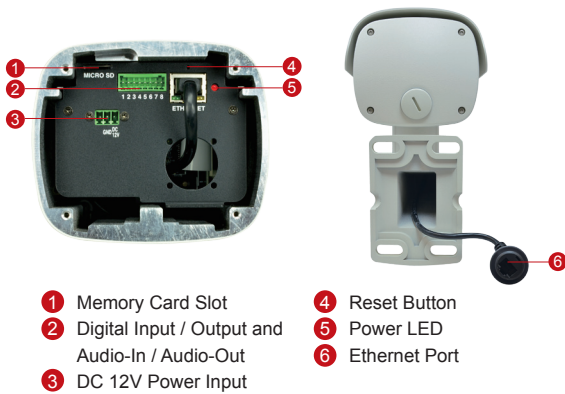
B45

2MP, Zoom Bullet with D/N, Adaptive IR, Basic WDR, SLLS, 10x Zoom Lens

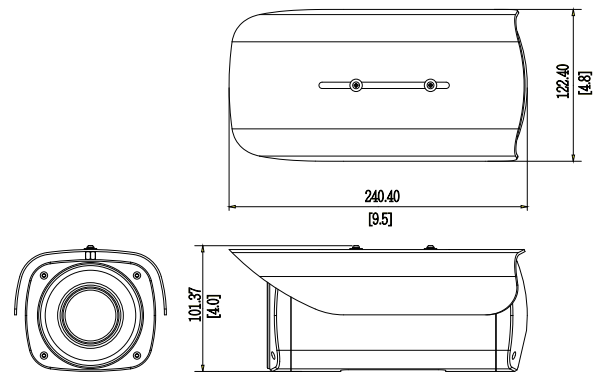


- 2 Megapixel with 1080p
- Day & Night with Superior Low Light Sensitivity and Adaptive IR LED
- 10x Zoom Lens with f4.9 - 49mm / F1.8 - 3.0, DC iris, Auto Focus
- Basic WDR (75 dB)
- 30 fps at 1920 x 1080
- Weatherproof (IP67) and Vandal Proof Metal Casing (IK10)

PHOTO INDICATION



DIMENSION DIAGRAM



ACCESSORY OPTIONS

Power Supply		
PPOE-0001		IEEE 802.3af PoE Injector for Class 1, 2 or 3 devices, with universal adapter
PPBX-0002		AC 100-240V to DC 12V power adapter with universal connector

Popular Mounting Solutions	
Wall	Integrated bracket
Ceiling	PMAX-1300
Pole	PMAX-0504
Gang Box	PMAX-0806

* For more mounting solutions, please refer to Project Planner on www.acti.com

PRODUCT SPECIFICATION

B45

• Device

Device Type	Bullet Camera
Image Sensor	Progressive Scan CMOS
Sensor Size	1/2.8"
Effective Pixels	1984 (H) x 1225 (V) (2.43 MP)
Day / Night	Yes
Low Light Sensitivity	Superior
Minimum Illumination	Color: 0.1 lux at F1.8 (30 IRE, 2400°K); B/W: 0 lux (IR LED on)
Color to B/W Switch	ISP based switch, configurable
Mechanical IR Cut Filter	Yes
IR Sensitivity Range	700~1100nm
IR LED	Adaptive IR LED (Object & Zoom Adaptive IR LED) x 27 (850 nm)
IR Working Distance	40 m (0 lux, 30 IRE, Gain 255, Auto shutter mode)
Electronic Shutter	1/5 ~ 1/2,000 sec (manual mode); 1/5 ~ 1/10,000 sec (auto mode)
TV Lines	1450
S/N Ratio	52 dB

• Lens

Focal Length / Aperture	Zoom, f4.9 - 49mm / F1.8 - 3.0
Zoom Ratio / Speed	10x optical / 2.5 sec (wide to tele)
Iris	DC iris
Focus	Auto focus
Mount Type	Board mount
Horizontal Viewing Angle	57.8° ~ 6.9°

• Video

Compression	H.264 (Baseline / Main / High profile), MJPEG
Max. Frame Rate vs. Resolution	30 fps at 1920 x 1080; 30 fps at 1280 x 720; 30 fps at 800 x 600; 30 fps at 640 x 480; 15 fps at 320x240
Multi-Streaming	Simultaneous dual streams based on two configurations
Bit Rate	28 Kbps - 6 Mbps (per stream)
Bit Rate Mode	Constant, Variable
Image Enhancement	Basic WDR (75 dB); White balance: automatic, hold, and manual; Brightness; Contrast; Sharpness (auto); Auto gain control; Digital noise reduction; Flickerless
Text Overlay	User defined text on video
Image Orientation	Image flip and mirror

• Audio

Compression	8kHz, Mono, PCM, 16 bit encoding, G.711
Audio-In	Terminal block
Audio-Out	Terminal block

• Network

Protocol & Service	TCP, UDP, HTTP, HTTPS, DHCP, PPPoE, RTP, RTSP, IPv4, IPv6, DNS, DDNS, NTP, ICMP, ARP, IGMP, SMTP, FTP, UPnP, SNMP, Bonjour, Sony VISCA, Pelco-D, Pelco-P
Ethernet Port	1, Ethernet (10/100 Base-T), RJ-45 connector
Security	IP address filtering; HTTPs encryption; Password protected user levels; Anonymous login; IEEE802.1X network access control

• Alarm

Alarm Trigger	Video motion detection (3 regions); External device through digital input; Sound detection
Alarm Response	Notify control center; Change camera settings; Command other devices; E-mail notification with snapshots; Save video or snapshot to local storage; Upload video or snapshot to FTP server; Activate external device through digital output

• Interface

Digital Input	1, Terminal block
Digital Output	1, Terminal block
Local Storage	MicroSDHC/MicroSDXC card slot (card not included)

• General

Power Source / Consumption	PoE Class 3 (IEEE802.3af) and DC 12V (adapter not included) / 12W (built-in heater and IR on)
Weight	2.36 kg (5.19 lb)
Dimensions (Ø x L)	122.4 mm x 101.37 mm x 240.4 mm (4.8" x 4.0" x 9.5")
Bundled Accessories	Integrated bracket
Environmental Casing	Weatherproof (IP67 rated); Vandal proof metal casing (IK10)
Mount Type	Wall, Pole, Ceiling, Gang box
Starting Temperature	-40°C ~ 50°C (-40°F ~ 122°F) within 30 mins
Operating Temperature	-40°C ~ 50°C (-40°F ~ 122°F)
Operating Humidity	10% ~ 85% RH
Approvals	CE (EN 55022 Class B, EN 55024), FCC (Part15 Subpart B Class B), IP67, NEMA 4X, IK10 (metal casing); UL (for optional PoE injector and power adapter)

• Integration

Unified Solution	Fully compatible with ACTi software
ISV Integration	Software Development Kit (SDK) available; ONVIF compliant
GPS Position	Manual setting
Firmware Access Browser	Microsoft Internet Explorer 8.0 or newer (full functionality) Safari with QuickTime installed, and other browsers with VLC installed (partial functionality)

* All specifications are subject to change without notice.

* All brand names and registered trademarks are the property of their respective owners.

www.acti.com

